



DEEBOT X1 TURBO
**Instruction Manual/Manuel d'instructions/
Manual de instrucciones**

Important Safety Instructions

IMPORTANT SAFETY INSTRUCTIONS READ ALL INSTRUCTIONS BEFORE USING THIS APPLIANCE. SAVE THESE INSTRUCTIONS

For Household use only

When using an electrical appliance, basic precautions should always be followed, including the following:

WARNING: Read all safety warnings and instructions. Failure to follow the warnings and instructions may result in electric shock, fire or serious injury.

1. Do not allow to be used as a toy. Close attention is necessary when used by or near children.
2. Clear the area to be cleaned. Remove power cords and small objects from the floor that could entangle the Appliance. Tuck rug fringe under the rug base, and lift items such as curtains and tablecloths off the floor.
3. If there is a drop off in the cleaning area due to a step or stairs, you should operate the Appliance to ensure that it can detect the step without falling over the edge. It may

become necessary to place a physical barrier at the edge to keep the unit from falling. Make sure the physical barrier is not a trip hazard.

4. Only use as described in this manual. Only use attachments recommended or sold by the manufacturer.
5. Please make sure your power supply voltage matches the power voltage marked on the Docking Station.
6. Do not handle plug or appliance with wet hands.
7. Non-rechargeable batteries are prohibited.
8. Do not use without dust bin and/or filters in place.
9. Do not operate the vacuum in an area where there are lit candles or fragile objects on the floor to be cleaned.
10. Do not use and store in extremely hot or cold environments (below -5°C / 23°F or above 40°C / 104°F). Please charge the robot in temperature above 0°C / 32°F and below 40°C / 104°F .
11. Keep hair, loose clothing, fingers, and all parts of body away from any openings and moving parts.
12. Do not operate the Appliance in a room where an infant or child is sleeping.

13. For INDOOR use ONLY. Do not use the Appliance in outdoor, commercial or industrial environments. Do not use Appliance on wet surfaces or surfaces with standing water.
14. Do not allow the Appliance to pick up large objects like stones, large pieces of paper or any item that may clog the Appliance.
15. Do not use Appliance to pick up flammable or combustible materials such as gasoline, printer or copier toner, or use in areas where they may be present.
16. Do not use Appliance to pick up anything that is burning or smoking, such as cigarettes, matches, hot ashes, or anything that could cause a fire.
17. Do not put any object into openings. Do not use with any opening blocked; keep free of dust, lint, hair, and anything that may reduce air flow.
18. Take care not to damage the power cord. Do not pull on or carry the Appliance or Docking Station by the power cord, use the power cord as a handle, close a door on the power cord, or pull power cord around sharp edges or corners. Do not run Appliance over the power cord. Keep power cord away from hot surfaces. Do not unplug by pulling on cord. To unplug, grasp the plug, not the cord.
19. If the power cord is damaged, it must be replaced by the manufacturer or its service agent in order to avoid a hazard.
20. Do not use the Docking Station if it is damaged.
21. Do not use with a damaged power cord or plug. Do not use the Appliance or Docking Station if it is not working properly, has been dropped, damaged, left outdoors, or come in contact with water. It must be repaired by the manufacturer or its service agent in order to avoid a hazard.
22. Turn OFF the power switch before cleaning or maintaining the Appliance. Turn off all controls before unplugging. Always turn off this appliance before connecting or disconnecting motorized nozzle.
23. The plug must be removed from the receptacle before cleaning or maintaining the Docking Station.
24. Remove the Appliance from the Docking Station, and turn OFF the power switch to the Appliance before removing the battery for disposal of the Appliance.

25. The battery must be removed and discarded according to local laws and regulations before disposal of the Appliance.
26. Please dispose of used batteries according to local laws and regulations.
27. Do not incinerate the Appliance even if it is severely damaged. The batteries can explode in a fire.
28. When not using the Docking Station for a long period of time, please unplug it.
29. The Appliance must be used in accordance with the directions in this Instruction Manual. ECOVACS ROBOTICS cannot be held liable or responsible for any damages or injuries caused by improper use.
30. Prevent unintentional starting. Ensure the switch is in the off position before connecting to battery pack, picking up or carrying the appliance.
31. When battery pack is not in use, keep it away from other metal objects, like paper clips, coins, keys, nails, screws or other small metal objects, that can make a connection from one terminal to another. Shorting the battery terminals together may cause burns or a fire.
32. Under abusive conditions, liquid may be ejected from the battery; avoid contact. If contact accidentally occurs, flush with water. If liquid contacts eyes, additionally seek medical help. Liquid ejected from the battery may cause irritation or burns.
33. Do not use a battery pack or appliance that is damaged or modified. Damaged or modified batteries may exhibit unpredictable behavior resulting in fire, explosion or risk of injury.
34. Do not expose a battery pack or appliance to fire or excessive temperature. Exposure to fire or temperature above 130°C may cause explosion. The temperature of 130°C can be replaced by the temperature of 265°F.
35. Follow all charging instructions and do not charge the battery pack or appliance outside of the temperature range specified in the instructions. Charging improperly or at temperatures outside of the specified range may damage the battery and increase the risk of fire.
36. Have servicing performed by a qualified repair person using only identical

replacement parts. This will ensure that the safety of the product is maintained.

37. Do not modify or attempt to repair the appliance or the battery pack (as applicable) except as indicated in the instructions for use and care.
38. Place the cords from other appliances out of the area to be cleaned.
39. Do not operate the vacuum in a room that has lit candles on furniture that the vacuum may accidentally hit or bump into.
40. Do not allow children to sit on the vacuum.
41. Use only as described in this manual. Use only manufacturer's recommended attachments.
42. Recharge only with the charger specified by the manufacturer. A charger that is suitable for one type of battery pack may create a risk of fire when used with another battery pack.
43. Use appliances only with specifically designated battery packs. Use of any other battery packs may create a risk of injury and fire.
44. The robot contains batteries that are only replaceable by skilled persons. To replace

the robot's battery, please contact Customer Service.

45. If the robot will not be used for a long time, fully charge the robot and power OFF for storage and unplug the Docking Station.
46. To Reduce The Risk Of Electric Shock – Do not use on wet surfaces. Do not expose to rain. Store indoors.
47. To Reduce The Risk Of Injury From Moving Parts – Unplug Before Servicing.
48. Risk Of Injury. Brush May Start Unexpectedly. Unplug Before Cleaning or Servicing.
49. To reduce the risk of injury, user must read instruction manual.
50. To Reduce The Risk Of Electric Shock – Do not use outdoors or on wet surfaces.

===	Direct current
~	Alternating current

This Device Complies with DHHS Radiation Rules, 21CFR Chapter 1, Subchapter J.

Federal Communications Commission (FCC) Interference Statement

NOTE: This equipment has been tested and found to comply with the limits for a Class B digital device, pursuant to Part 15 of the FCC Rules.

These limits are designed to provide reasonable protection against harmful interference in a residential installation. This equipment generate, uses and can radiate radio frequency energy and, if not installed and used in accordance with the instructions, may cause harmful interference to radio communications.

However, there is no guarantee that interference will not occur in a particular installation. If this equipment does cause harmful interference to radio or television reception, which can be determined by turning the equipment off and on, the user is encouraged to try to correct the interference by one of the following measures:

- Reorient or relocate the receiving antenna.
- Increase the separation between the equipment and receiver.
- Connect the equipment into an outlet on a circuit different from that to which the receiver is connected.
- Consult the dealer or an experienced radio/TV technician for help.

This device complies with Part 15 of the FCC Rules. Operation is subject to the following two conditions:

(1) This device may not cause harmful interference, and (2) this device must accept any interference received, including interference that may cause undesired operation.

Caution: Changes or modifications to this unit not expressly approved by the party responsible for compliance could void the user's authority to operate the equipment.

This device contains licence-exempt transmitter(s)/receiver(s) that comply with Innovation, Science and Economic Development Canada's licence-exempt RSS(s). Operation is subject to the following two conditions:

- (1) This device may not cause interference.
- (2) This device must accept any interference, including interference that may cause undesired operation of the device.

RF exposure warning

This equipment complies with FCC radiation exposure limits set forth for an uncontrolled environment.

This equipment must be installed and operated in accordance with provided instructions and the antenna(s) used for this transmitter must be installed to provide a separation distance of at least 20 cm from all persons and must not be collocated or operating in conjunction with any other antenna or transmitter.

MPE caution (for mobile device under Part 15.247 & 15.407 device)
To satisfy FCC&ICRF exposure requirements, a separation distance of 20cm or moreshould be maintained between the antenna of this device and persons during device operation.

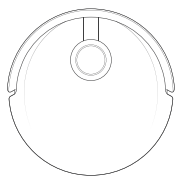
To ensure compliance, operations at closer than this distance is not recommended.

To disable Wi-Fi module on DEEBOT and the Station, power the robot ON. Place the robot on the Clean Station making sure that DEEBOT is in charging status.

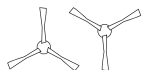
Press and hold the Recall/Exit Button on the Station for 30 seconds. And press and hold the AUTO Mode Button on the robot for 30 seconds.

To enable Wi-Fi module on DEEBOT and the Station, power the robot OFF and then power ON. And unplug the Station and plug it again.

Package Contents



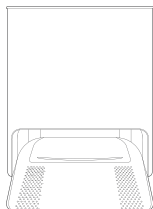
Robot



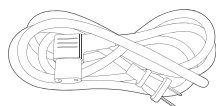
Dual Side
Brushes



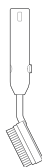
Washable
Mopping Pads



Clean Station



Power Cord



Cleaning Brush



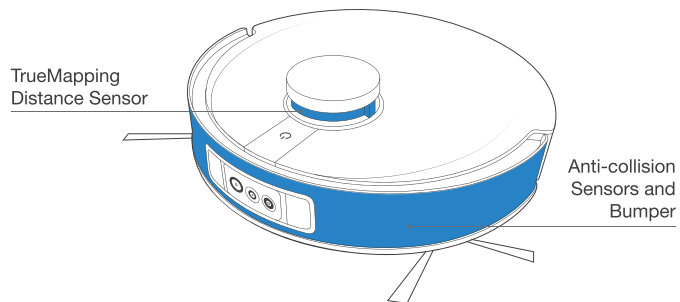
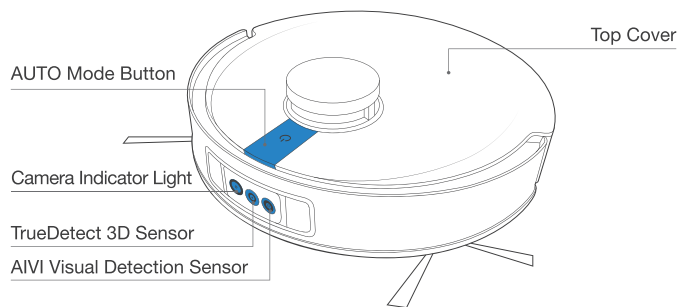
Instruction Manual



Multi-Function
Cleaning Tool

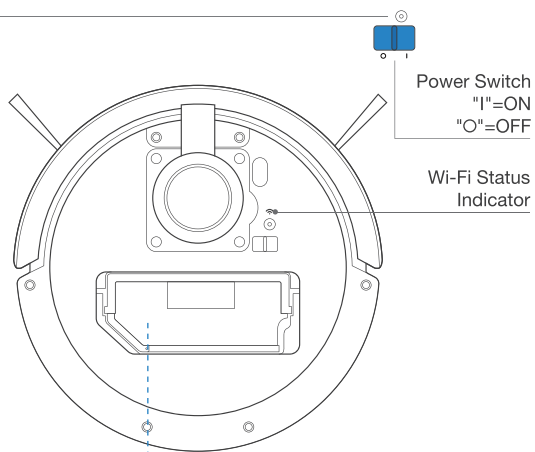
Product Diagram

Robot

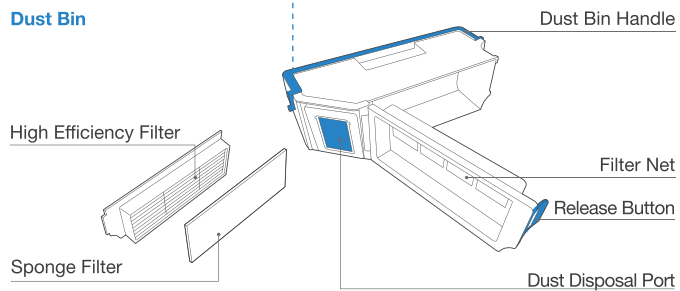


Note: Figures and illustrations are for reference only and may differ from actual product appearance. Product design and specifications are subject to changes without notice.

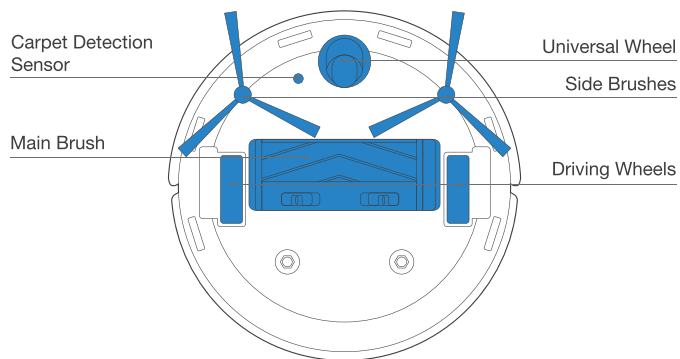
RESET Button



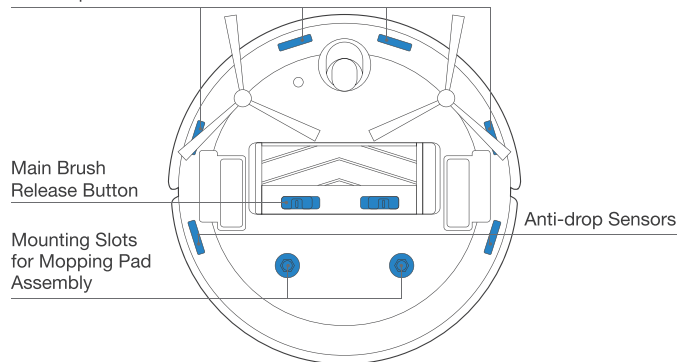
Dust Bin



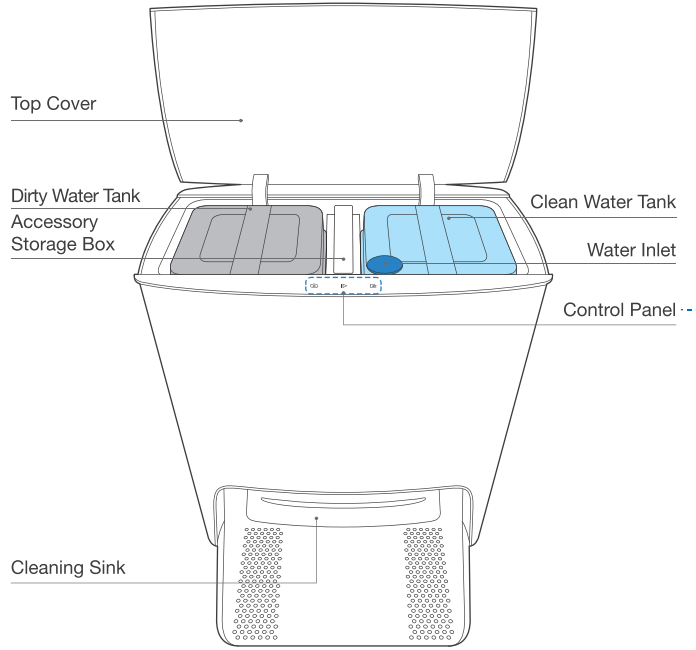
Bottom View



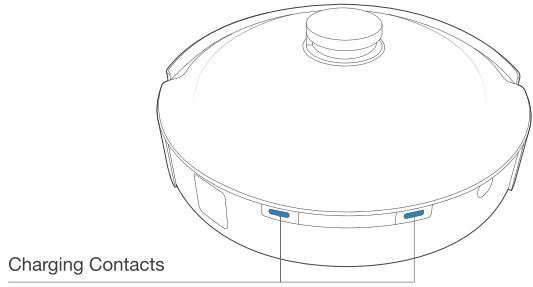
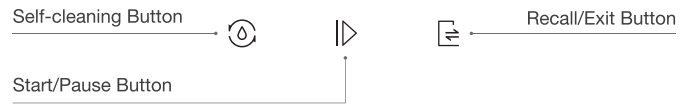
Anti-drop Sensors



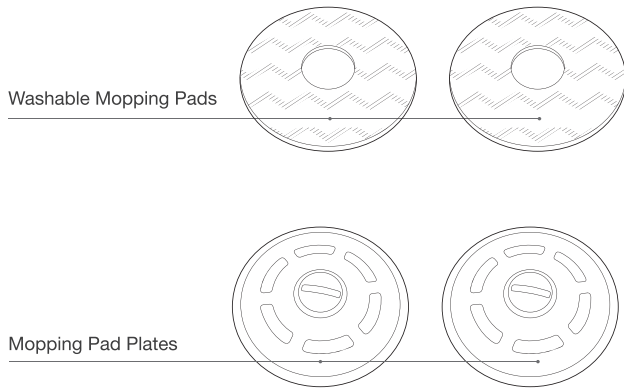
Clean Station



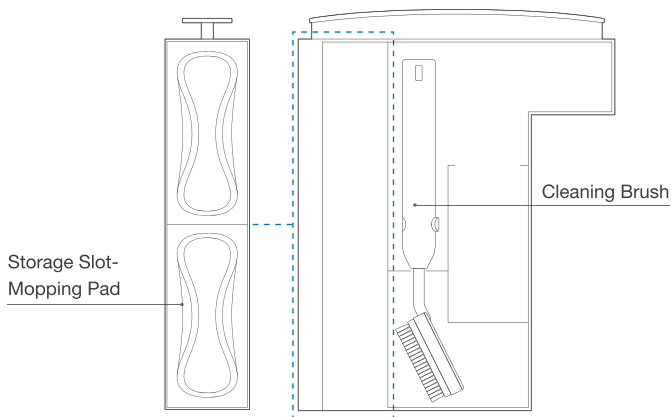
Control Panel Button



Mopping Pad Assembly



Accessory Storage Box



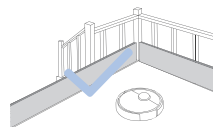
Notes Before Cleaning



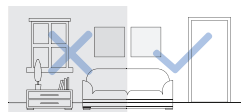
Tidy up the area to be cleaned by putting furniture, such as chairs, in their proper place.



During the first use, make sure each room door is open to help DEEBOT fully explore your house.



It may be necessary to place a physical barrier at the edge of a drop to stop the unit from falling over the edge.



Make sure areas to be cleaned are well illuminated so Visual Detection works properly. Remove power cords and small objects from the floor to ensure cleaning efficiency.



Put away objects including cables, cloths and slippers, etc. on the floor to improve the cleaning efficiency.



Clean the AI VI Visual Detection Sensor and TrueMapping Distance Sensor with a clean cloth, and avoid using any detergent or cleaning spray.



Before using the product on a rug with tasseled edges, please fold the rug edges under.



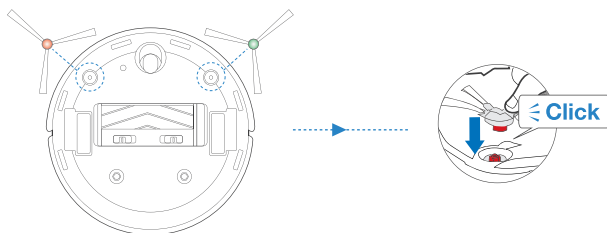
Please do not stand in narrow spaces, such as hallways, and make sure not to block the Detection Sensor.

Quick Start

Before using DEEBOT, please remove all protective films or protective strips on DEEBOT and Clean Station.

Install the Side Brush

Make sure the color of Side Brush is consistent with that of mounting slot.



ECOVACS HOME App

To enjoy all available features, it is recommended to control your DEEBOT via the ECOVACS HOME app.

Before you start, make sure that:

- Your mobile phone is connected to a Wi-Fi network.
- The 2.4GHz or 2.4/5 GHz band wireless signal is enabled on your router.
- The Wi-Fi indicator light on DEEBOT is slowly flashing.



Wi-Fi Indicator Light

	Slowly flashing	Disconnected to Wi-Fi or waiting for Wi-Fi connection
	Rapidly flashing	Connecting to Wi-Fi
	Solid	Connected to Wi-Fi

Wi-Fi Connection

Before Wi-Fi setup, make sure DEEBOT, mobile phone, and Wi-Fi network meet the following requirements.

DEEBOT and Mobile Phone Requirements

- DEEBOT is fully charged and the power switch of DEEBOT is turned on.
- Wi-Fi status light slowly flashes.
- Turn off mobile phone's cellular data (you can turn it back on after setup).

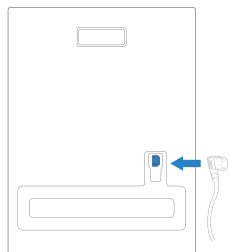
Wi-Fi Network Requirements

- You are using a 2.4GHz or 2.4/5 GHz mixed network.
- Your router supports 802.11b/g/n and IPv4 protocol.
- Do not use a VPN (Virtual Private Network) or Proxy Server.
- Do not use a hidden network.
- WPA and WPA2 using TKIP, PSK, AES/CCMP encryption.
- WEP EAP (Enterprise Authentication Protocol) is not supported.
- Use Wi-Fi channels 1-11 in North America and channels 1-13 outside North America (refer to local regulatory agency).
- If you are using a network extender/repeater, the network name (SSID) and password are the same as your primary network.

Please be aware that the realization of intelligent functions such as remote startup, voice interaction, 2D/3D map display and control settings, and personalized cleaning (depending on different products) requires users to download and use ECOVACS HOME App, which is constantly updated. You need to agree to our Privacy Policy and User Agreement before we can process some of your basic and necessary information and enable you to operate the product through ECOVACS HOME App. If you do not agree with our Privacy Policy and User Agreement, some of the aforementioned intelligent functions cannot be realized through ECOVACS HOME App, but you can still use the basic functions of this product for manual operation.

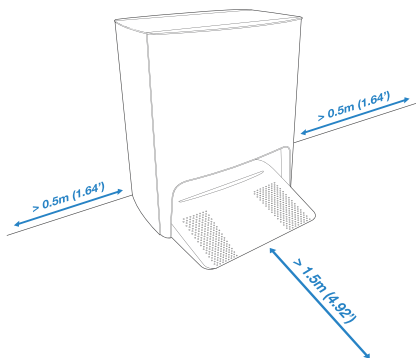
Charging DEEBOT

1 Assemble Clean Station



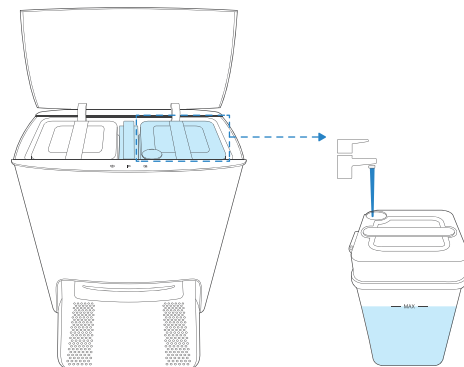
2 Clean Station Placement

Keep the area around the Station clear of objects and reflective object surfaces.



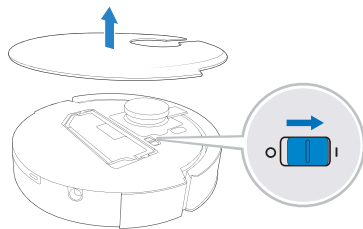
* If there are reflective objects such as mirrors and reflective skirting lines near the Station, the bottom 14cm of that should be covered.
Do not place the Station under direct sunlight.
It is recommended to place the Station on the hard floor to experience full functions of the robot.

3 Add Water to Clean Water Tank



Note: It is recommended to use ECOVACS DEEBOT Cleaning Solution (sold separately). Using other cleaning solution may cause DEEBOT slipping, water tank block and other problems.

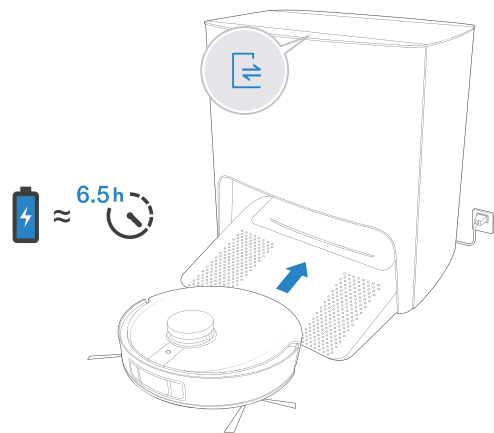
4 Power ON



Note: I = ON, O = OFF.

DEEBOT cannot be charged when being powered OFF.

5 Charge DEEBOT



It is recommended that DEEBOT start cleaning from the Station. Do not move the Station while cleaning.

Operating DEEBOT

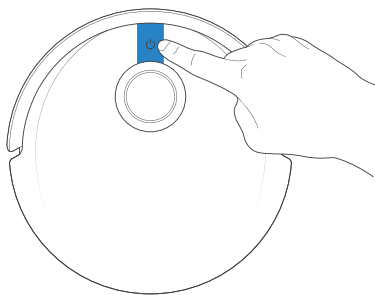
When creating a map for the first time, please follow DEEBOT to help eliminate some minor issues.

For example, DEEBOT may get stuck in the low furniture. Please refer to the following solutions:

- ① Raise the furniture if possible;
- ② Cover the bottom of the furniture;
- ③ Set up Virtual Boundary via the App.

1 Start

Tap  on DEEBOT or  on the Clean Station to start

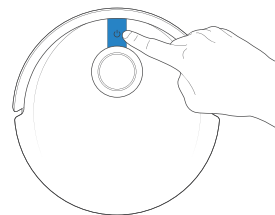


Note:

1. For the first-time cleaning, please ensure that DEEBOT is fully charged.
2. It is not recommended to assemble Mopping Pad Plates for the first time cleaning.

2 Pause/Wake Up

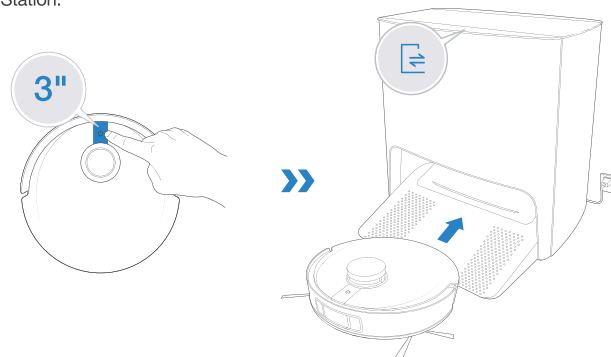
Tap  on DEEBOT or  on the Clean Station to pause.



Note: The indicator light will go out after the robot is paused for a few minutes. Press the AUTO Mode Button on DEEBOT to wake up the robot.

3 Back to the Station

Tap  for 3 seconds to end current task. Tap  to recall DEEBOT to the Clean Station.



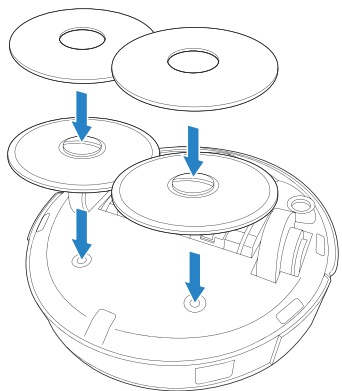
Note: When DEEBOT is not working, it is recommended to keep it switched ON and charging.

Mopping

1. The Reservoir in DEEBOT can be automatically refilled through the Clean Station.

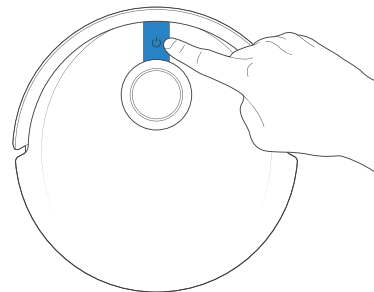
2. Do not use the mopping function on the carpet.

1 Attach the Mopping Pads and Mopping Pad Plates.



2 Mop

Tap  on DEEBOT or  on the Clean Station to start mopping



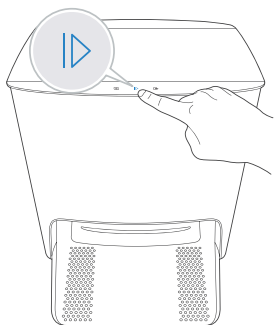
Note:

1. To prolong the service life of the reservoir, do not frequently remove washable mopping pads.
2. Do not use a rag or any other object to scratch the Mopping Pad Plates.
3. When the ECOVACS HOME App prompts that the mops need to be replaced, please replace them in time.

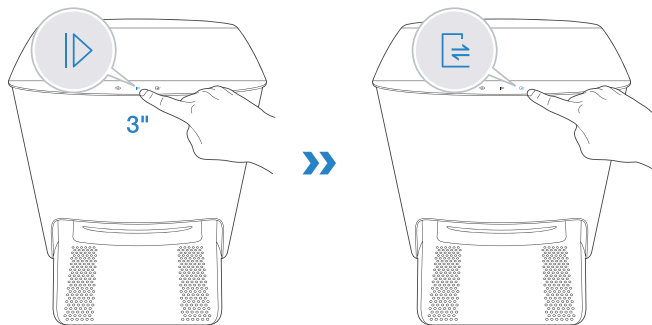
Explore more accessories at ECOVACS HOME App or at <https://www.ecovacs.com/global>.

Clean Station

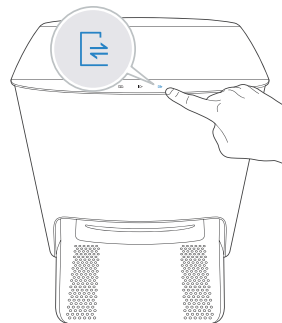
1 Start/Pause DEEBOT



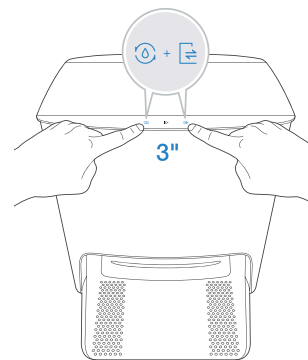
2 Recall DEEBOT



3 Direct DEEBOT to Exit from Clean Station



4 Child Lock ON/OFF



When Child Lock is enabled, the touch key on DEEBOT and the Station will be locked to ensure safety. Repeat the same step to disable Child Lock.

Regular Maintenance

To keep DEEBOT running at peak performance, perform maintenance tasks and replace parts with the following frequencies:

Robot Part	Maintenance Frequency	Replacement Frequency
Washable Mopping Pad	/	Every 1-2 months
Side Brush	Once every 2 weeks	Every 3-6 months
Main Brush	Once per week	Every 6-12 months
Sponge Filter/High Efficiency Filter	Once per week	Every 3-6 months
TrueDetect 3D Sensor AIVI Visual Detection Sensor TrueMapping Distance Sensor Universal Wheel Anti-Drop Sensors Bumper Charging Contacts Clean Station Pins	Once per week	/
Cleaning Sink	Once every 2 weeks	/
Clean Water Tank	Once every 3 months	/
Dirty Water Tank	After each mopping	/
Clean Station	Once per month	/

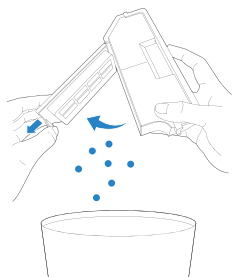
Before performing cleaning and maintenance tasks on DEEBOT, turn the robot OFF and unplug the Clean Station.

A multi-function Cleaning Tool is provided for easy maintenance. Handle with care, this cleaning tool has sharp edges.

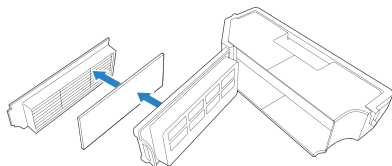
Note: ECOVACS manufactures various replacement parts and fittings. Please contact Customer Service for more information on replacement parts.

Maintain Dust Bin and Filters

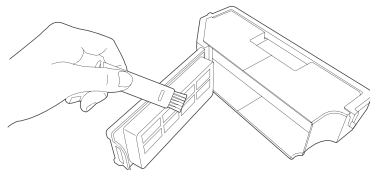
1



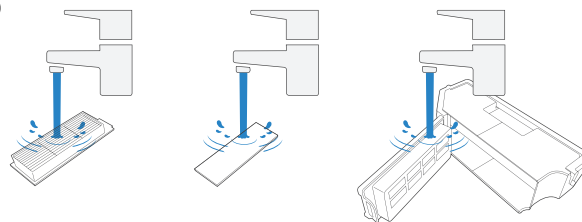
2



3



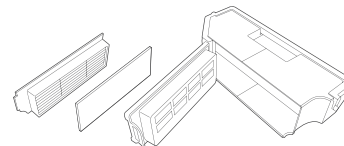
4



Note:

1. Please rinse the filter with water as shown above.
2. Do not use finger or brush to clean the High Efficiency Filter.

5

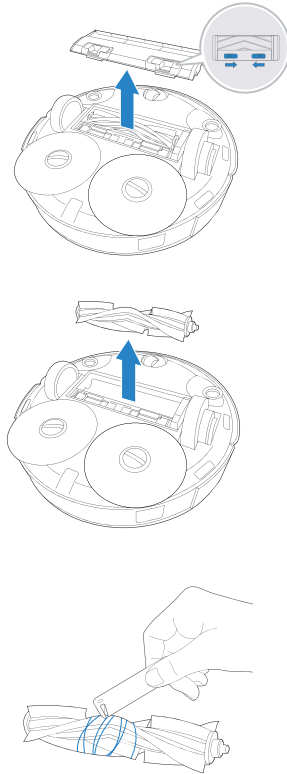


Note:

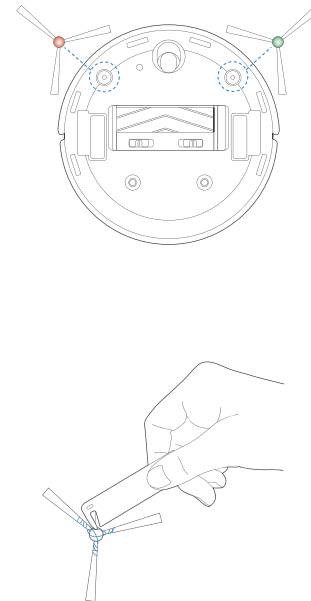
Completely dry the filter before use.
Explore more accessories at ECOVACS HOME App or at <https://www.ecovacs.com/global>.

Maintain Main Brush and Side Brushes

Main Brush

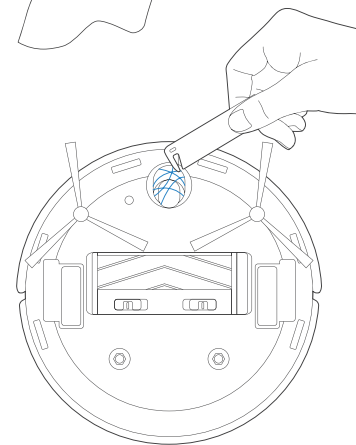
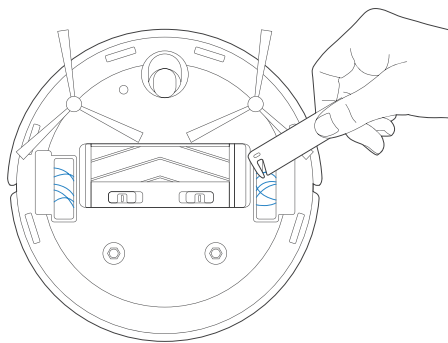
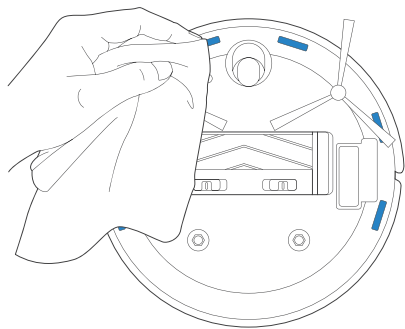
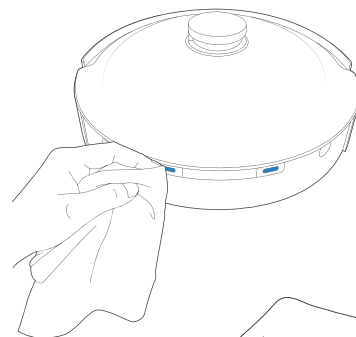
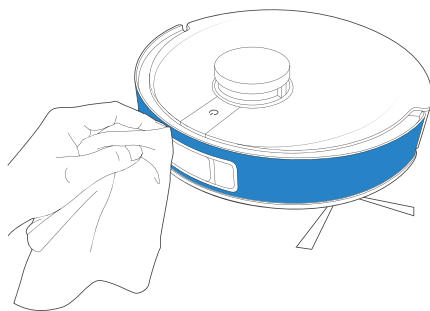
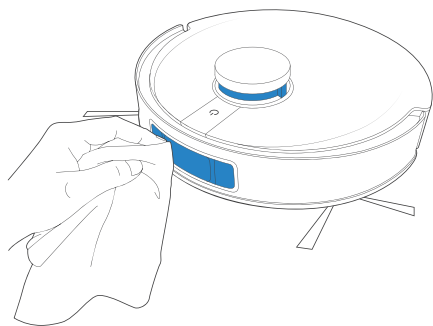


Side Brushes



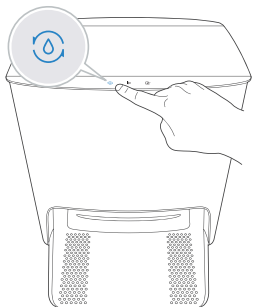
Maintain Other Components

Note: Wipe the components with a clean, dry cloth. Avoid using cleaning sprays or detergents.

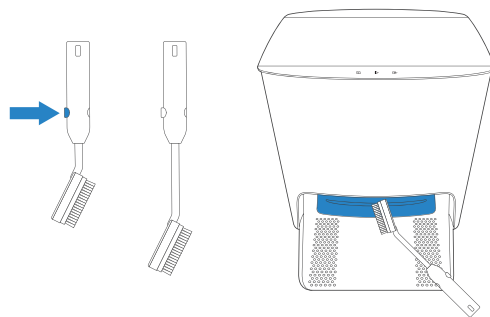


Maintain Clean Station

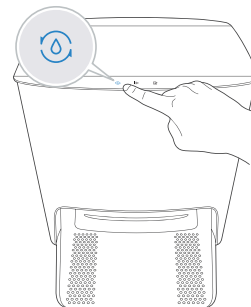
1 Add Water to Cleaning Sink



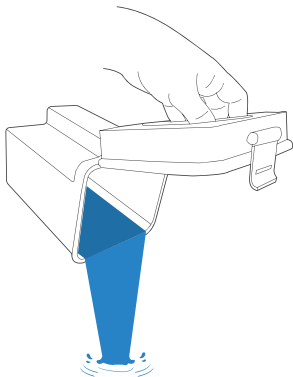
2 Clean Cleaning Sink



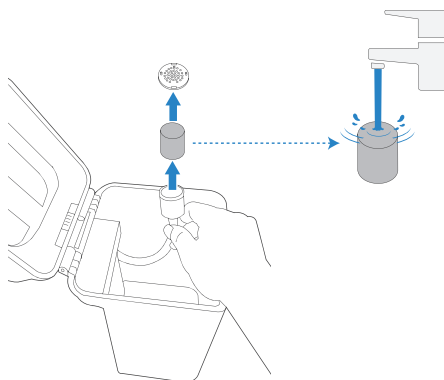
3 Drain the Water Out of Cleaning Sink



4 Empty Dirty Water Tank



5 Clean the Clean Water Tank Filter






Troubleshooting

No.	Malfunction	Possible Causes	Solutions
1	DEEBOT is not able to connect to ECOVACS HOME App.	Incorrect home Wi-Fi username or password entered.	Enter the correct home Wi-Fi username and password.
		DEEBOT is not within range of your home Wi-Fi signal.	Make sure DEEBOT is within range of your home Wi-Fi signal.
		DEEBOT is not in the configuration state.	Make sure DEEBOT is connected to the power supply and turned on. Open the cover, and press RESET Button. DEEBOT will enter the configuration state when you hear a voice prompt.
		Incorrect App installed.	Please download and install ECOVACS HOME App.
		Not using a 2.4GHz or 2.4/5 GHz mixed network.	DEEBOT does not support 5G network. Please use a 2.4GHz or 2.4/5 GHz mixed network.
2	The map is lost.	The map might be lost if you move DEEBOT when cleaning.	Move DEEBOT to the front of the Station to retrieve the map. Find the restored map in the Map Management and tap "Use This Map" to retrieve it. If this problem persists after trying the above solutions, please restart mapping.
3	Unable to create furniture map on App.	DEEBOT does not start cleaning from the Station.	DEEBOT must start cleaning from the Station.
		Move DEEBOT when cleaning might cause the mop lost.	During cleaning, do not move DEEBOT as far as possible.
		Auto cleaning is not complete.	Make sure DEEBOT automatically return to the Station after cleaning.
4	DEEBOT Side Brushes drop out of place during use.	The Side Brushes are not properly installed.	Make sure the Side Brushes click into place when installing.

No.	Malfunction	Possible Causes	Solutions
5	No signal found. Unable to return to the Station.	The Station is incorrectly placed.	Please place the Station correctly according to the instructions in the [Charging DEEBOT] section.
		The Station is out of power or manually moved.	Check whether the Station is connected to power supply. Do not manually move the Station.
		DEEBOT does not start cleaning from the Station.	It is recommended that DEEBOT start cleaning from the Station.
		The charging route is blocked. For example, the door of the room with the Station in is closed.	Keep the charging route clear.
6	DEEBOT returns to the Station before it has finished cleaning.	The room is so large that DEEBOT needs to return to recharge.	Please enable Continuous Cleaning. For more details, please follow the App instruction.
		DEEBOT is unable to reach certain areas blocked by furniture or barriers.	Tidy up the area to be cleaned by putting furniture and small objects in their proper place.
7	DEEBOT is unable to charge.	DEEBOT is not switched ON.	Switch ON DEEBOT.
		DEEBOT's Charging Contacts are not connected to the Station Pins.	Make sure that the robot's Charging Contacts have connected to the Station Pins and the AUTO Mode Button flashes. Check whether DEEBOT'S Charging Contacts and the Station are dirty. Please clean these parts according to the instructions in the [Maintenance] section.
		The Station is not connected to the power supply.	Make sure the Station is connected to the power.
		The battery will be overcharged if DEEBOT is not used for a long time.	It is recommended to regularly use DEEBOT. If the battery cannot be charged because it has not been used for a long time, please contact Customer Care for help.
8	Running is very loud during cleaning.	Side brushes and main brush are entangled. Dust bin and filter are blocked.	It is recommended to clean the side brushes, main brush, dust bin, filter, etc. regularly.
		DEEBOT is in Max Mode.	Switch to Standard Mode.
9	DEEBOT gets stuck while working and stops.	DEEBOT is tangled with something on the floor (electrical wires, curtains, carpet fringing, etc.).	DEEBOT will try various ways to free itself. If it is unsuccessful, manually remove the obstacles and restart.
		DEEBOT might be stuck under furniture with similar height.	Please set a physical barrier, or set a Virtual Boundary via the ECOVACS HOME App.

No.	Malfunction	Possible Causes	Solutions
10	During cleaning, DEEBOT appears in the route disorder, running bias, repeated cleaning, small area leakage and so on. (If there is a large area that has not been swept temporarily, DEEBOT will make up the leakage independently. Sometimes DEEBOT will re-enter a cleaned room to find any missing area.)	Objects such as wires and slippers placed on the ground affect the normal operation of DEEBOT.	Please tidy up the scattered wires, slippers and other objects on the ground before cleaning. And reduce the scattered objects on the ground as far as possible. If there is any area leakage, DEEBOT will correct the leakage by itself, please do not interfere (such as moving DEEBOT or blocking the route).
		It may be that the Driving Wheels slips on the ground when DEEBOT climbs steps, thresholds and door bars, thus affecting the its judgment of the whole house environment.	It is recommended to close the door of this area and clean the area separately. After cleaning, DEEBOT will return to the starting location. Please rest assured to use.
		Work on freshly waxed and polished floors or smooth tiles, resulting in less friction between the Driving Wheels and the floor.	Please wait for wax to dry before cleaning.
		Due to different home environments, some areas cannot be cleaned.	Clean the home environment to ensure that DEEBOT can enter for cleaning.
		The TrueMapping Distance Sensor is dirty or blocked by foreign matters.	Wipe the TrueMapping Distance Sensor with a clean soft cloth or remove foreign matters.
11	Video Manager cannot open or has no screen.	Wi-fi connection failed.	Check the Wi-Fi connection status. DEEBOT must be in an area with good Wi-Fi signal to enable the Video Manager.
		Video Manager is not authorized.	Please check your consent in the Privacy Policy before using the robot.
		Due to the network latency, you may not be able to open Video Manager temporarily.	Try again later.
		The AIVI Visual Detection Sensor is blocked.	Remove the shield.
12	Delay in remote control.	The Wi-Fi signal is poor, causing the video loading to be slow.	Use DEEBOT in areas with good Wi-Fi signals.

No.	Malfunction	Possible Causes	Solutions
13	AIVI Visual Detection Sensor cannot recognize objects.	The cleaning area is not well illuminated.	Smart Recognition requires sufficient lighting. Please make sure the areas to be cleaned are well illuminated.
		AIVI Visual Detection Sensor lens is dirty or blocked.	Clean the lens with a clean soft cloth, and make sure the sensor is not blocked. Avoid using any detergent or cleaning spray while cleaning.
14	Mopping Pad Plate cannot rotate.	The Mopping Pad Plate is blocked by foreign objects.	Clean the foreign objects.
15	DEEBOT does not respond to the Station instruction.	DEEBOT is too far away from the Station.	If it is beyond the available distance, the ECOVACS HOME App can also be used to operate DEEBOT.
		DEEBOT and the Station are not paired.	Unplug the Station and wait for 10 seconds to plug again. Power off the robot and then restart it. Manually push the robot up to the Station, and ensure that the charging pins are correctly connected. Then, DEEBOT will start charging, and voice prompt pairing successful.
16	Fail to enable Child Lock.	Communication interruption between the Station and DEEBOT (For example: long distance or many partition walls)	Move DEEBOT near the Station to ensure smooth communication, and then enable Child Lock.
17	Driving wheels are blocked.	Driving wheels are blocked by foreign objects.	Please rotate and press the driving wheels to check whether there is any foreign object wrapped or stuck. If there is any foreign object, please clean it in time. If this problem persists, please contact Customer Care for help.

No.	Malfunction	Possible Causes	Solutions
18	When the water in the Cleaning Sink is full and cannot be drained out, the voice reports that the Cleaning Sink is full.	The Dirty Water Tank is not properly installed.	Tap down on the Dirty Water Tank to ensure it is properly installed.
		The sealing plugs in the Dirty Water Tank is not installed properly.	Make sure to check that the sealing plugs are properly installed.
		The Station cannot drain water normally.	Double tap  to see whether the Station can properly draw the water. If the problem occurs during the mopping pads cleaning process, press and hold  to finish the task, and then double tap  to see whether the Station can properly draw the water. If the water is successfully drawn, wipe dry the Water Overflow Sensor of the Cleaning Sink. If the Station fails to draw the water, check between the Dirty Water Tank and the Station for foreign matter and clean it.
		The suction port of the Cleaning Sink is blocked by foreign object.	Ensure that there is no foreign object in the suction port of the Cleaning Sink.
		The voice prompt still exists after trying the above solutions.	Unplug the Station and plug it again. If this problem persists, please contact Customer Care for help.

Technical Specifications

Model	DEX11
Rated Input	20V \equiv 2A
Clean Station Model	CH2108
Rated Input	100-120V \sim 50-60Hz 0.9A
Rated Output	20V \equiv 2A

Note: Technical and design specifications may be changed for continuous product improvement.
Explore more accessories at <https://www.ecovacs.com/global>.

Instructions importantes de sécurité

INSTRUCTIONS IMPORTANTES DE SÉCURITÉ

LIRE TOUTES LES INSTRUCTIONS AVANT L'UTILISATION DE L'APPAREIL.

CONSERVER CES INSTRUCTIONS

Pour une utilisation domestique seulement
Lors de l'utilisation d'un appareil électrique, les précautions de base suivantes doivent être suivies.

AVERTISSEMENT : Lire tous les avertissements et instructions de sécurité. Ne pas suivre les avertissements et les instructions peut entraîner une décharge électrique, un incendie ou des blessures graves.

1. L'appareil ne doit pas être utilisé comme un jouet. Une attention particulière est nécessaire lorsqu'il est utilisé par des enfants ou près d'eux.
2. Rangez la région à nettoyer. Retirez les cordons d'alimentation et les petits objets situés sur le plancher qui pourraient s'enchevêtrer dans l'appareil. Glissez les franges sous le tapis, dégagez le plancher et relevez les bouts des

rideaux et des nappes.

3. En cas de présence d'un point de chute dans la zone de nettoyage à cause d'une marche ou d'un escalier, vous devriez utiliser l'appareil afin de vous assurer qu'il est en mesure de détecter la marche sans tomber. Il pourrait être nécessaire de placer une barrière physique au bord du point de chute pour empêcher l'unité de tomber. Assurez-vous que la barrière ne représente pas un risque de trébuchement.
4. Utilisez l'appareil seulement de la manière décrite dans ce manuel. Utilisez seulement les accessoires recommandés ou vendus par le fabricant.
5. Veuillez vous assurer que la tension d'alimentation de la prise correspond à la tension d'alimentation indiquée sur la station de charge.
6. Ne manipulez pas la fiche électrique ou l'appareil avec des mains humides.
7. Les batteries non rechargeables sont interdites.
8. N'utilisez pas l'appareil si le bac à poussière ou les filtres ne sont pas en place.
9. N'utilisez pas l'aspirateur dans une pièce avec des chandelles allumées ou des objets fragiles sur le plancher à nettoyer.

10. N'utilisez pas l'appareil et ne l'entrez pas dans un environnement à température extrêmement chaude ou froide (inférieure à -5 °C/23 °F ou supérieure à 40 °C/104 °F). Veuillez charger le robot à une température supérieure à 0 °C/32 °F et en dessous de 40 °C/104 °F.
11. Les vêtements amples, les cheveux, les doigts et toutes les autres parties du corps doivent être tenus à l'écart de toute ouverture et de toute pièce mobile.
12. N'utilisez pas l'appareil dans une pièce où dort un nourrisson ou un enfant.
13. Pour une utilisation INTÉRIEURE SEULEMENT. N'utilisez pas l'appareil à l'extérieur ou à des fins commerciales ou industrielles. N'utilisez pas l'appareil sur une surface humide ou mouillée.
14. Évitez que l'appareil ne ramasse de gros objets, comme des pierres, de gros morceaux de papier ou tout autre objet pouvant boucher l'appareil.
15. N'utilisez pas l'appareil pour ramasser des produits inflammables ou combustibles comme de l'essence, de l'encre d'imprimante ou de copieur, ou encore dans un endroit où ces produits peuvent être présents.
16. N'utilisez pas l'appareil pour ramasser des objets qui sont en combustion ou qui émettent de la fumée comme des cigarettes, des allumettes, des cendres chaudes ou tout autre objet pouvant causer un incendie.
17. Ne placez pas d'objets dans les ouvertures. N'utilisez pas l'appareil avec une ouverture bouchée; gardez les ouvertures exemptes de poussière, de peluche, de cheveux et de tout autre objet pouvant réduire la circulation d'air.
18. Veillez à ne pas endommager le cordon d'alimentation. Ne tirez pas sur le cordon d'alimentation de l'appareil ou sur celui de la station de charge et ne transportez pas l'appareil ou la station de charge en les tenant par le cordon d'alimentation, n'utilisez pas le cordon d'alimentation comme une poignée, ne fermez pas de porte sur le cordon d'alimentation et ne tirez pas le cordon d'alimentation autour de rebords ou de coins coupants. Ne faites pas passer l'appareil sur le cordon d'alimentation. Gardez le cordon d'alimentation éloigné de toute surface chaude. Ne tirez pas sur le cordon pour débrancher l'appareil, tirez plutôt sur la fiche électrique.

19. Si le cordon d'alimentation est endommagé, il doit être remplacé par le fabricant ou par un agent de service à la clientèle pour éviter tout danger.
20. N'utilisez pas la station de charge si elle est endommagée.
21. N'utilisez pas les appareils avec une fiche électrique endommagée ou un cordon d'alimentation endommagé. N'utilisez ni l'appareil ni la station de charge s'ils ne fonctionnent pas normalement, s'ils ont été échappés, endommagés, laissés à l'extérieur ou s'ils sont entrés en contact avec un liquide. Si une réparation est nécessaire, elle doit être effectuée par le fabricant ou un agent de service à la clientèle pour éviter tout danger.
22. Mettez l'appareil HORS TENSION à l'aide de l'interrupteur d'alimentation avant de nettoyer ou de faire l'entretien de l'appareil. Fermez toutes les commandes avant de le débrancher. Éteignez toujours l'appareil avant de brancher ou de débrancher la buse motorisée.
23. Retirez la fiche électrique de la prise avant d'effectuer le nettoyage ou l'entretien de la station de charge.
24. Retirez l'appareil de la station de charge et mettez-le HORS TENSION à l'aide de l'interrupteur d'alimentation de l'appareil avant de déposer la batterie pour la mise au rebut de l'appareil.
25. La batterie doit être déposée et mise au rebut de façon appropriée et en accord avec les lois et réglementations locales avant la mise au rebut de l'appareil.
26. Veuillez mettre les batteries au rebut selon les lois et règlements locaux.
27. N'incinerez pas l'appareil même s'il est gravement endommagé. Les batteries peuvent exploser si elles sont exposées au feu.
28. Veuillez débrancher la station de charge si elle n'est pas utilisée pendant un long moment.
29. L'appareil doit être utilisé conformément aux instructions du présent mode d'emploi. ECOVACS ROBOTICS ne saurait être tenue responsable des blessures ou dommages causés par une utilisation incorrecte.
30. Prévenez le démarrage accidentel. Assurez-vous que l'interrupteur est à la position de mise hors tension avant de connecter l'appareil au bloc-batterie, de le ramasser ou de le transporter.
31. Lorsque le bloc-batterie n'est pas utilisé, tenez-

le à l'écart d'autres objets métalliques comme des trombones, des pièces de monnaie, des clés, des vis, des clous ou d'autres petits objets métalliques qui peuvent établir une connexion d'une borne à l'autre. Un court-circuit des bornes de la batterie peut causer des brûlures ou un incendie.

32. Dans des conditions abusives, du liquide peut être éjecté de la batterie; évitez le contact. En cas de contact accidentel, rincez immédiatement les parties atteintes avec de l'eau. Si du liquide entre en contact avec les yeux, rincez immédiatement avec de l'eau et consultez un professionnel de la santé. Le liquide s'échappant de la batterie peut causer des irritations ou des brûlures.
33. N'utilisez pas un bloc-batterie ou un appareil qui est endommagé ou modifié. Les batteries endommagées ou modifiées peuvent avoir un comportement imprévisible pouvant causer un incendie, une explosion ou des blessures.
34. N'exposez pas un bloc-batterie ou un appareil au feu ou à une température élevée. Une exposition au feu ou à une température supérieure à 130 °C peut causer une explosion. La température de 130 °C est équivalente à

265 °F.

35. Suivez toutes les instructions de recharge et ne rechargez pas le bloc-batterie ou l'appareil si la température est en dehors de la plage spécifiée dans les instructions. Une recharge incorrecte ou à une température en dehors de la plage spécifiée peut endommager la batterie et augmenter le risque d'incendie.
36. L'entretien doit être effectué par un technicien qualifié uniquement avec des pièces de recharge identiques. Cela assurera le maintien de la sécurité du produit.
37. Ne modifiez pas l'appareil ou le bloc-batterie (le cas échéant), sauf comme indiqué dans les instructions d'utilisation et d'entretien.
38. Enlevez les cordons d'autres appareils de la zone à nettoyer.
39. N'utilisez pas l'aspirateur dans une pièce qui contient des chandelles sur des meubles que l'aspirateur pourrait accidentellement frapper ou percuter.
40. Ne laissez pas les enfants s'asseoir sur l'aspirateur.
41. Utilisez l'appareil seulement de la manière décrite dans ce manuel. Utilisez seulement des accessoires recommandés par le fabricant.

42. Ne rechargez qu'avec le chargeur recommandé par le fabricant. Un chargeur qui est adapté pour un type de bloc-batterie peut créer un risque d'incendie lorsqu'il est utilisé avec un autre bloc-batterie.
43. Utilisez les appareils uniquement avec les blocs-batteries conçus à cet effet. L'utilisation de tout autre bloc-batterie peut créer un risque de blessure et d'incendie.
44. Le robot contient des batteries qui ne sont remplaçables que par des personnes qualifiées. Pour remplacer la batterie du robot, veuillez communiquer avec le service à la clientèle.
45. Si le robot n'est pas utilisé pour une période prolongée, rechargez complètement le robot, mettez-le HORS TENSION pour l'entreposer et débranchez la station de charge.
46. Pour réduire le risque de décharge électrique, n'utilisez pas cet appareil sur des surfaces humides. Ne l'exposez pas à la pluie. Entreposez-le à l'intérieur.
47. Pour réduire le risque de blessure lié aux pièces en mouvement, débranchez l'appareil avant tout entretien.
48. Risque de blessure. La brosse peut démarrer de manière inattendue. Débranchez l'appareil

avant de procéder à son nettoyage ou à son entretien.

49. Pour réduire le risque de blessure, l'utilisateur doit lire le manuel d'instructions.
50. Pour réduire le risque de décharge électrique, n'utilisez pas cet appareil à l'extérieur ou sur des surfaces humides.

— — —	Courant continu
~	Courant alternatif

Cet appareil est conforme aux règlements sur les radiations du DHHS, 21CFR chapitre 1, sous-chapitre J.

[Déclaration sur les interférences de la Federal Communications Commission \(FCC\)](#)

Cet équipement a été testé et jugé conforme aux limites pour appareils numériques de classe B, conformément à la section 15 des règlements de la FCC.

Ces limites sont destinées à assurer une protection raisonnable contre les interférences nuisibles dans une installation résidentielle. Cet équipement génère, utilise et peut émettre de l'énergie radioélectrique et peut, en cas d'installation ou d'utilisation non conforme aux instructions, engendrer des interférences nuisibles aux communications radio.

Cependant, on ne peut pas garantir que des interférences ne se produiront pas dans certaines installations. Si cet équipement cause des interférences nuisibles à la réception des signaux de radio ou de télévision, ce qui peut être déterminé en allumant et en éteignant l'appareil, nous conseillons à l'utilisateur d'essayer de corriger ces interférences à l'aide d'un des moyens suivants :

- Réorienter ou repositionner l'antenne de réception.
- Augmenter la distance séparant l'équipement du récepteur.
- Brancher l'appareil dans une prise différente ou sur un circuit différent de celui ou celle du récepteur.
- Consulter le revendeur ou un technicien qualifié spécialisé en radio/téléviseur pour obtenir de l'aide.

L'émetteur/récepteur exempt de licence contenu dans le présent appareil est conforme aux CNR d'Innovation, Sciences et Développement économique Canada applicables aux appareils radio exempts de licence. L'exploitation est autorisée aux deux conditions suivantes :

- 1) L'appareil ne doit pas produire de brouillage;
- 2) L'appareil doit accepter tout brouillage radioélectrique subi, même si le brouillage est susceptible d'en compromettre le fonctionnement.

Cet appareil est conforme à la section 15 des règlements de la FCC. L'utilisation est sous réserve des deux conditions suivantes :

- (1) cet appareil ne doit pas engendrer des interférences nuisibles et (2), cet appareil doit accepter toute interférence reçue, y compris les interférences pouvant entraîner un fonctionnement indésirable.

Avertissement de la FCC : Toute transformation ou modification

non expressément autorisée par l'autorité responsable de la conformité pourrait annuler le droit de l'utilisateur à utiliser cet équipement.

Avertissement relatif à l'exposition aux radiofréquences

Cet équipement est conforme aux limites d'exposition aux radiations définies par la FCC pour un environnement non contrôlé.

Cet équipement doit être installé et utilisé conformément aux instructions fournies, et la ou les antennes utilisées pour cet émetteur doivent être installées afin de fournir une distance de séparation d'au moins 20 cm de toute personne et ne doivent pas être colocalisées ni fonctionner en combinaison avec une autre antenne ou un autre émetteur.

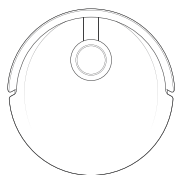
Les antennes installées doivent être situées de façon à ce que la population ne puisse y être exposée à une distance de moins de 20 cm. Installer les antennes de façon à ce que le personnel ne puisse approcher à 20 cm ou moins de la position centrale de l'antenne.

Pour désactiver le module Wi-Fi sur DEEBOT et la station, mettez le robot SOUS TENSION. Placez le robot sur la station de nettoyage en vous assurant que le DEEBOT est en état de charge.

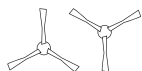
Appuyez sur le bouton de rappel/sortie de la station et maintenez-le enfoncé pendant 30 secondes. Appuyez sur le bouton du mode AUTOMATIQUE de la télécommande et maintenez-le enfoncé pendant 30 secondes.

Pour activer le module Wi-Fi sur DEEBOT et la station, mettez le robot HORS TENSION, puis remettez-le SOUS TENSION. Débranchez la station et rebranchez-la.

Contenu de l'emballage



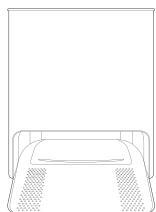
Robot



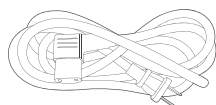
Deux brosses latérales



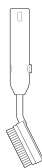
Tampons nettoyeurs lavables



Station de nettoyage



Cordon d'alimentation



Brosse de nettoyage



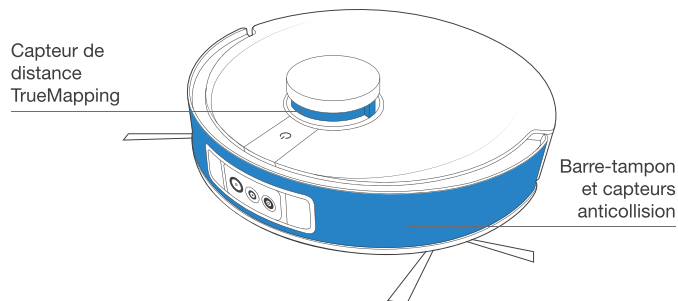
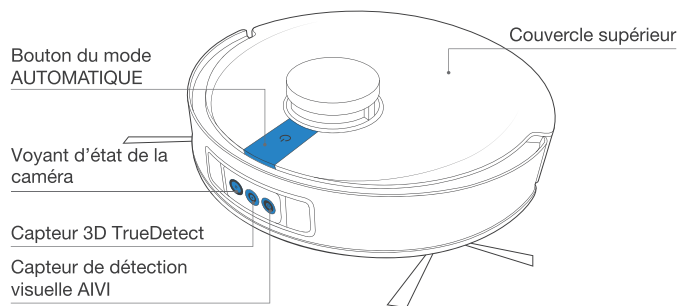
Manuel d'instructions



Outil de nettoyage multifonction

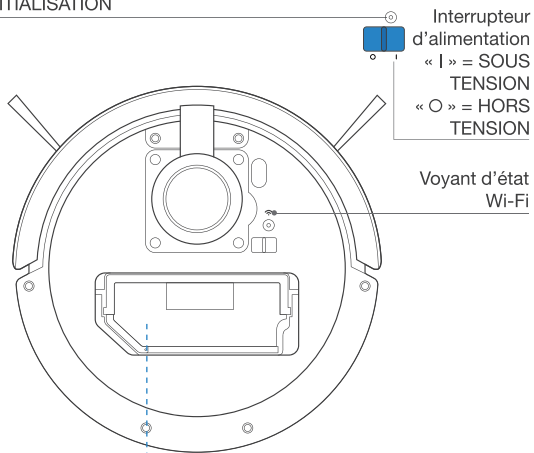
Diagramme schématique du produit

Robot

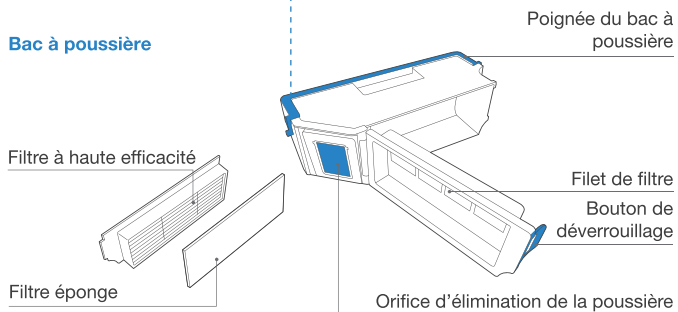


Remarque : Les figures et les illustrations sont offertes à titre de référence seulement et peuvent être différentes du produit réel. La conception du produit et ses spécifications sont assujetties à des modifications sans préavis.

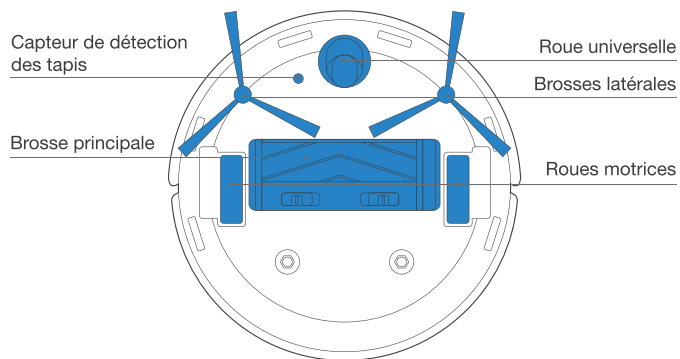
Bouton de RÉINITIALISATION



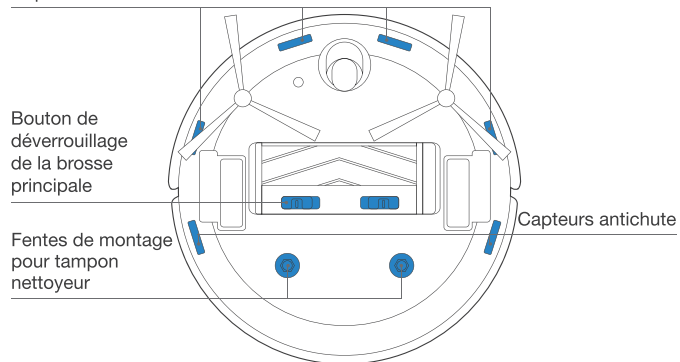
Bac à poussière



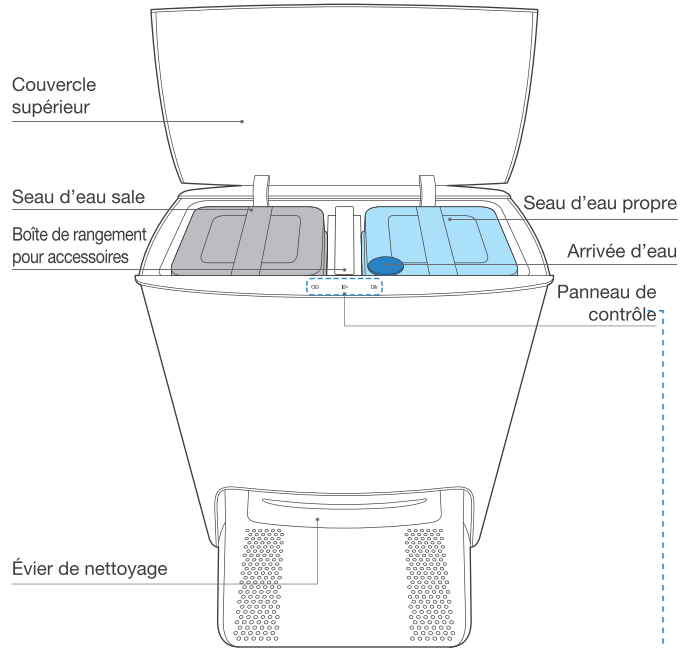
Vue du bas



Capteurs antichute



Station de nettoyage



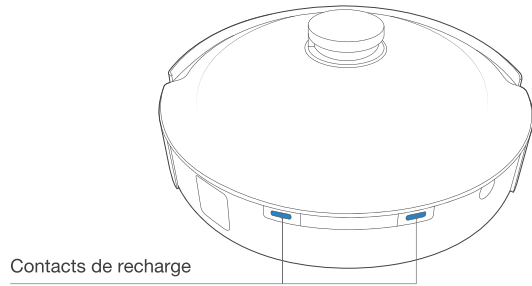
Bouton du panneau de contrôle

Bouton d'autonettoyage

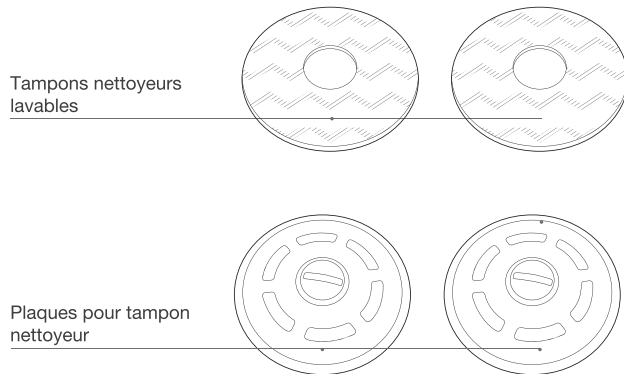


Bouton de rappel/sortie

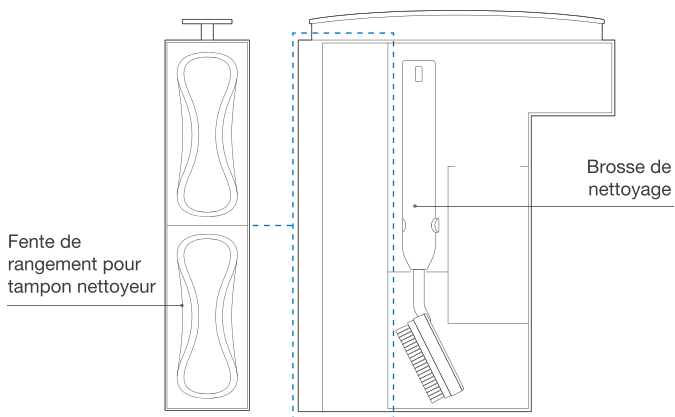
Bouton de démarrage et de pause



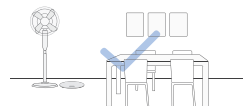
Assemblage des tampons nettoyeurs



Boîte de rangement pour accessoires



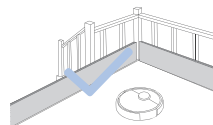
Remarques avant le nettoyage



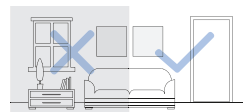
Rangez la zone à nettoyer en remettant les meubles, comme les chaises, à leur place.



Lors de la première utilisation, assurez-vous que toutes les portes de la pièce sont ouvertes pour permettre à DEEBOT d'explorer entièrement votre maison.



Il pourrait être nécessaire de placer une barrière physique au bord d'un point de chute pour empêcher l'unité de tomber.



Assurez-vous que les zones à nettoyer sont bien éclairées pour que la détection visuelle fonctionne correctement. Retirez le câble d'alimentation et les petits objets situés sur le plancher pour garantir un nettoyage efficace.



Rangez les objets, y compris les câbles, les chiffons et les pantoufles, etc., sur le plancher pour améliorer l'efficacité du nettoyage.



Nettoyez le capteur de détection visuelle AIVI et le capteur de distance TrueMapping à l'aide d'un chiffon propre; évitez d'utiliser un détergent ou un vaporisateur de nettoyage.



Avant d'utiliser le produit sur une carpeite, repliez les franges sous la carpeite.



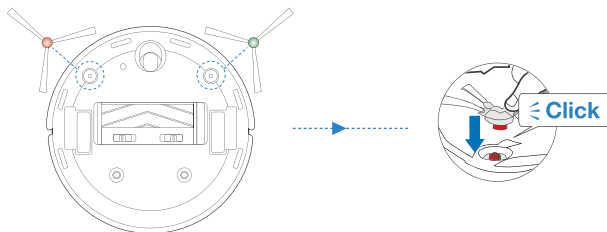
Évitez de vous trouver dans les espaces étroits, comme les passages, et assurez-vous de ne pas obstruer le capteur de détection.

Démarrage rapide

Avant d'utiliser DEEBOT, retirez toutes les pellicules et toutes les bandes protectrices sur DEEBOT et sur la station de nettoyage.

Installer les brosses latérales

Assurez-vous que la couleur de la brosse latérale correspond à celle de la fente de montage.



Application ECOVACS HOME

Pour profiter de toutes les fonctionnalités disponibles, nous vous recommandons de commander votre DEEBOT au moyen de l'application ECOVACS HOME.

Avant de commencer, assurez-vous que :

- votre téléphone mobile est connecté à un réseau Wi-Fi.
- Le signal sans fil de bande 2,4 GHz ou 2,4 / 5 GHz est activé sur votre routeur.
- le voyant d'état Wi-Fi de DEEBOT clignote lentement.



Voyant d'état Wi-Fi

	Clignotement lent	Déconnecté de Wi-Fi ou en attente de connexion Wi-Fi
	Clignotement rapide	Connexion à Wi-Fi
	Continu	Connecté à Wi-Fi

Connexion Wi-Fi

Avant de configurer la connexion Wi-Fi, assurez-vous que DEEBOT, le téléphone mobile et le réseau Wi-Fi répondent aux exigences suivantes.

Exigences relatives à DEEBOT et au téléphone mobile

- DEEBOT est complètement chargé et l'interrupteur d'alimentation de DEEBOT est sous tension.
- Le voyant d'état Wi-Fi clignote lentement.
- Les données cellulaires du téléphone mobile sont désactivées (vous pouvez les réactiver après la configuration).

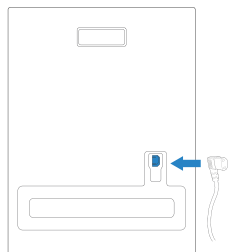
Exigences relatives au réseau Wi-Fi

- Vous utilisez un réseau de 2,4 GHz ou mixte de 2,4 / 5 GHz.
- Votre routeur prend en charge les protocoles 802.11 b/g/n et IPv4.
- N'utilisez pas de réseau privé virtuel (VPN) ou de serveur mandataire.
- N'utilisez pas de réseau caché.
- WPA et WPA2 utilisant le cryptage TKIP, PSK, AES/CCMP.
- Le protocole WEP EAP (Enterprise Authentication Protocol) n'est pas pris en charge.
- Utilisez les canaux Wi-Fi 1 à 11 en Amérique du Nord et les canaux 1 à 13 à l'extérieur de l'Amérique du Nord (voir l'organisme de réglementation local).
- Si vous utilisez une extension ou un répéteur de réseau, le nom du réseau (SSID) et le mot de passe sont les mêmes que ceux de votre réseau principal.

Veillez noter que l'activation de fonctions intelligentes comme le démarrage à distance, l'interaction vocale, l'affichage de cartes 2D/3D et les paramètres de contrôle, ainsi que le nettoyage personnalisé (selon les différents produits) exige que les utilisateurs téléchargent et utilisent l'application ECOVACS HOME, qui est constamment mise à jour. Vous devez accepter notre politique de confidentialité et notre contrat d'utilisation pour que nous puissions traiter certains de vos renseignements essentiels et de base et vous permettre d'utiliser le produit au moyen de l'application ECOVACS HOME. Si vous n'êtes pas d'accord avec notre politique de confidentialité et notre contrat d'utilisation, certaines des fonctions intelligentes susmentionnées ne pourront pas être activées à l'aide de l'application ECOVACS HOME, mais vous pourrez quand même utiliser les fonctions de base de ce produit pour un fonctionnement manuel.

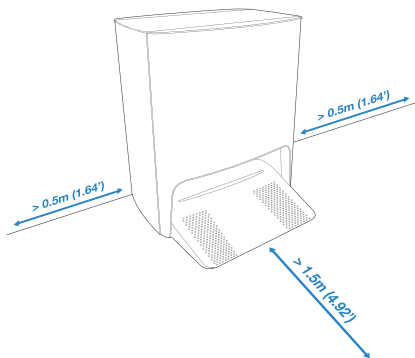
Recharger DEEBOT

1 Assemblage de la station de nettoyage



2 Disposition de la station de nettoyage

Gardez la zone autour de la station libre des surfaces ou des objets réfléchissants.

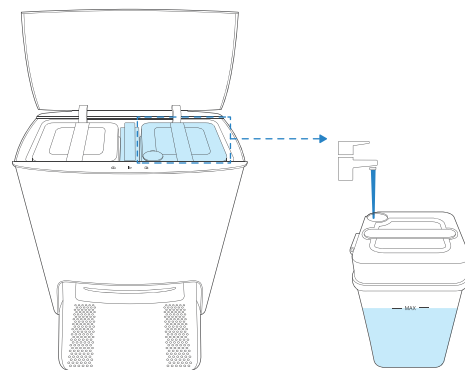


* Si des objets réfléchissants, comme des miroirs et des plinthes réfléchissantes se trouvent près de la station, recouvrez-les jusqu'à 14 cm à partir du sol.

Ne placez pas la station sous la lumière directe du soleil.

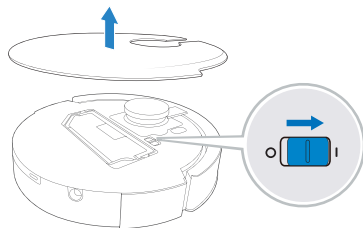
Il est recommandé de placer la station sur un plancher dur pour bénéficier de la totalité des fonctions du robot.

3 Ajouter de l'eau dans le seau d'eau propre



Remarque : * Il est recommandé d'utiliser la solution de nettoyage ECOVACS DEEBOT (vendue séparément). L'utilisation d'une autre solution de nettoyage peut faire déraiper DEEBOT, bloquer le réservoir d'eau et causer d'autres problèmes.

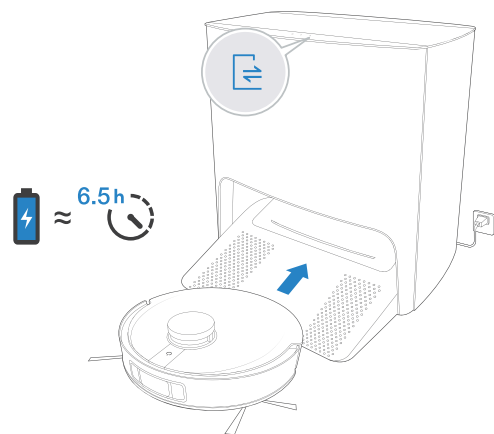
4 Mise SOUS TENSION



Remarque : I = MISE SOUS TENSION, O = MISE HORS TENSION.

DEEBOT ne peut pas être rechargé lorsque l'appareil est HORS TENSION.

5 Recharge de DEEBOT



Il est recommandé que DEEBOT commence à nettoyer à partir de la station. Ne déplacez pas la station pendant le nettoyage.

Fonctionnement de DEEBOT

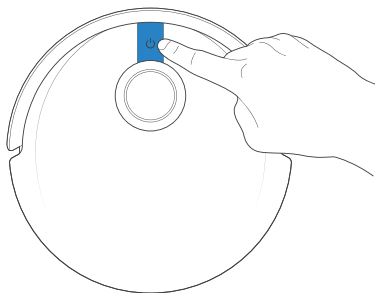
Lorsque vous créez une carte pour la première fois, suivez DEEBOT qui vous aidera à éliminer certains problèmes mineurs.

Par exemple, DEEBOT peut se coincer dans les meubles bas. Veuillez vous reporter aux solutions suivantes :

- ① Surélevez les meubles si possible;
- ② Couvrez le bas des meubles;
- ③ Configurez une limite virtuelle au moyen de l'application.

1 Mise en marche



Appuyez sur  sur DEEBOT ou sur  sur la station de nettoyage pour démarrer.

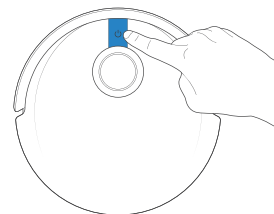


Remarque :

1. Pour le premier nettoyage, assurez-vous que DEEBOT est complètement chargé.
2. Il n'est pas recommandé d'assembler les plaques de tampon nettoyeur pour le premier nettoyage.

2 Pause/réveil

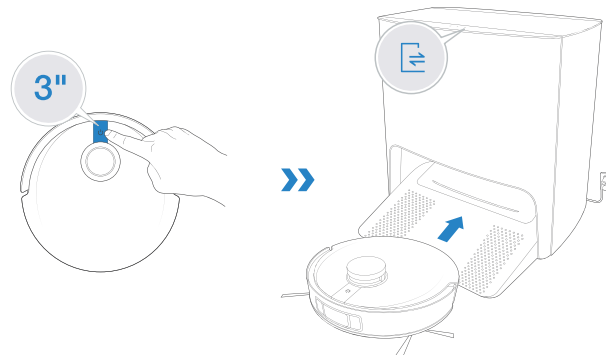
Appuyez sur  sur DEEBOT ou sur  sur la station de nettoyage pour mettre sur pause.



Remarque : Le témoin s'éteint lorsque le robot est sur pause depuis quelques minutes. Appuyez sur le bouton du mode AUTOMATIQUE sur DEEBOT pour éveiller le robot.

3 Retour à la station

Appuyez sur  pendant 3 secondes pour mettre fin à la tâche en cours. Appuyez sur  pour rappeler DEEBOT à Station de nettoyage.

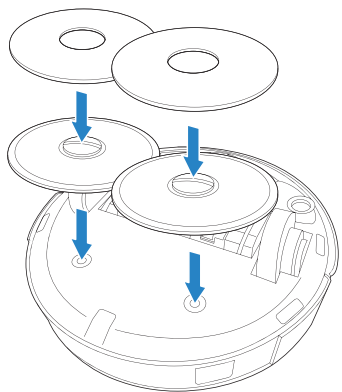


Remarque : Lorsque DEEBOT n'est pas en fonction, il est recommandé de le laisser SOUS TENSION et en recharge.

Nettoyage

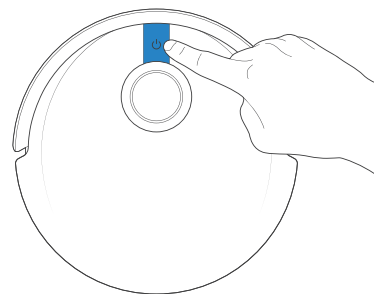
1. Le réservoir de DEEBOT peut être rempli automatiquement à partir de la station de nettoyage.
2. N'utilisez pas la fonction de nettoyage sur les tapis.

1 Fixez les plaques et les tampons de nettoyage.



2 Tampon nettoyeur

Appuyez sur  sur DEEBOT ou sur  sur la station de nettoyage pour démarrer.



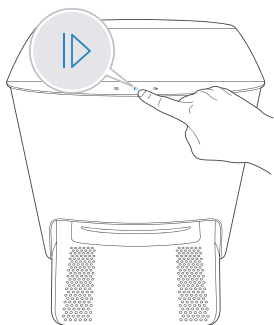
Remarque :

1. Pour prolonger la durée de vie du réservoir, n'enlevez pas trop fréquemment les tampons de nettoyage lavables.
2. N'utilisez pas de chiffons ou autres objets pour frotter les plaques de tampon de nettoyage.
3. Lorsque l'application ECOVACS HOME vous indique que les tampons de nettoyage doivent être remplacés, n'attendez pas pour le faire.

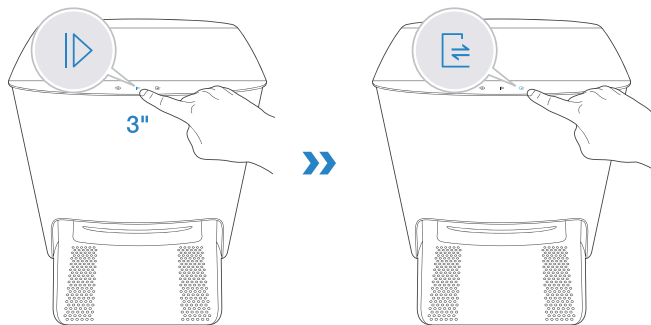
Découvrez d'autres accessoires dans l'application ECOVACS HOME ou à <https://www.ecovacs.com/global>.

Station de nettoyage

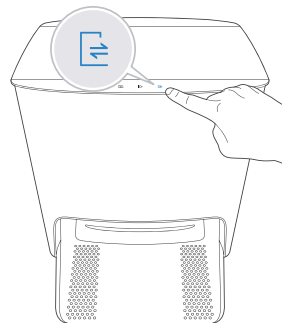
1 Démarrage/pause de DEEBOT



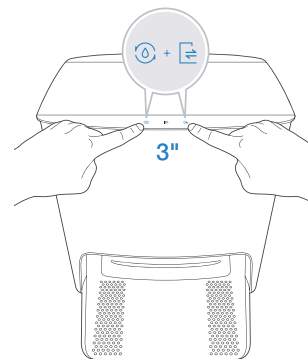
2 Rappel de DEEBOT



3 Commande de sortie de DEEBOT de la station de nettoyage



4 Activation/désactivation du verrou de sécurité enfant



Lorsque le verrou de sécurité enfant est activé, les boutons de DEEBOT et de la station sont verrouillés pour assurer la sécurité des tout-petits. Répétez la même étape pour désactiver le verrou de sécurité enfant.

Entretien régulier

Pour que DEEBOT conserve des performances optimales, effectuez les tâches d'entretien et le remplacement des pièces selon les fréquences suivantes :

Pièces du robot	Fréquence d'entretien	Fréquence de remplacement
Tampon nettoyeur lavable	/	Tous les 1 à 2 mois
Brosse latérale	Une fois toutes les 2 semaines	Tous les 3 à 6 mois
Brosse principale	Une fois par semaine	Tous les 6 à 12 mois
Filtre éponge et filtre à haute efficacité	Une fois par semaine	Tous les 3 à 6 mois
Capteur 3D TrueDetect Capteur de détection visuelle AIVI Capteur de distance TrueMapping Roue universelle Capteurs antichute Barre-tampon Contacts de recharge Broches de la station de nettoyage	Une fois par semaine	/
Évier de nettoyage	Une fois toutes les 2 semaines	/
Réservoir d'eau propre	Une fois tous les 3 mois	/
Réservoir d'eau sale	Après chaque nettoyage	/
Station de nettoyage	Une fois par mois	/

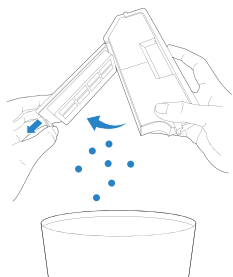
Avant d'effectuer des tâches de nettoyage et d'entretien sur DEEBOT, mettez le robot HORS TENSION et débranchez la station de nettoyage.

Un outil de nettoyage multifonction est fourni pour faciliter l'entretien. Manipulez avec soin, car cet outil de nettoyage a des bords coupants.

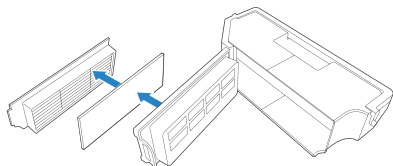
Remarque : ECOVACS fabrique toutes sortes de pièces et de raccords de rechange. Communiquez avec le service à la clientèle pour davantage d'information sur les pièces de rechange.

Entretien du bac à poussière et des filtres

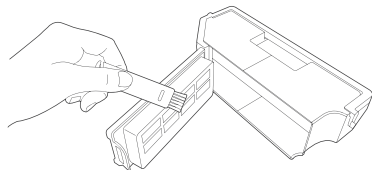
1



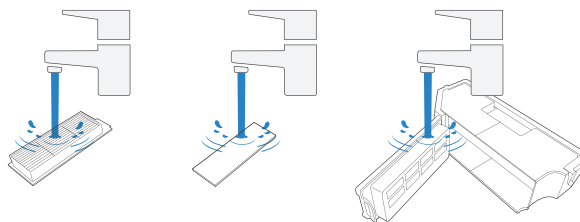
2



3



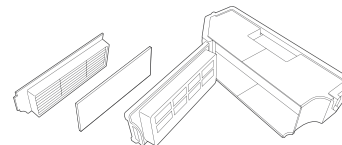
4



Remarque :

1. Rincez le filtre à l'eau comme indiqué ci-dessus.
2. N'utilisez pas vos doigts ou une brosse pour nettoyer le filtre à haute efficacité.

5

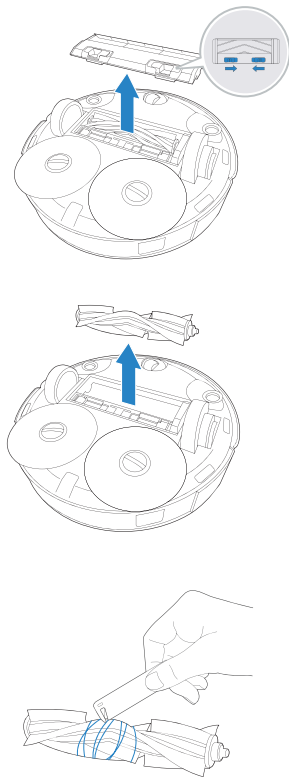


Remarque :

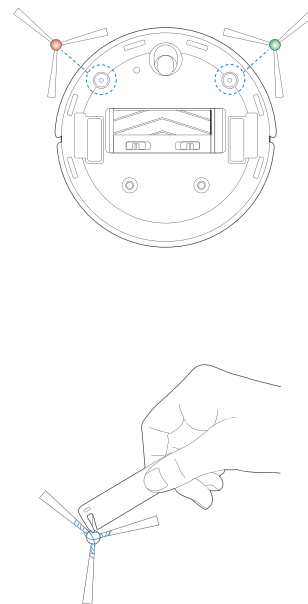
- Séchez complètement le filtre avant de l'utiliser.
Découvrez d'autres accessoires dans l'application ECOVACS HOME ou à <https://www.ecovacs.com/global>.

Entretien de la brosse principale et des brosses latérales

Brosse principale

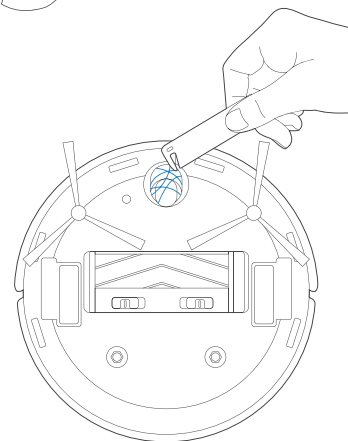
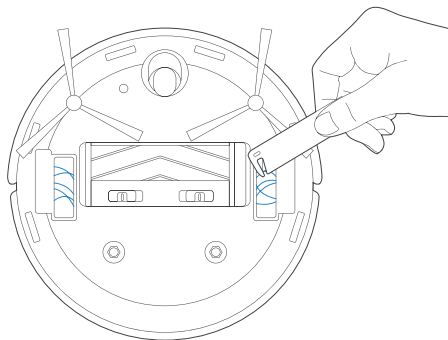
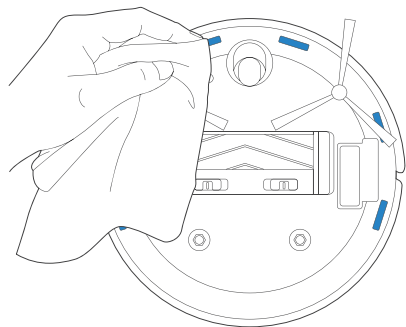
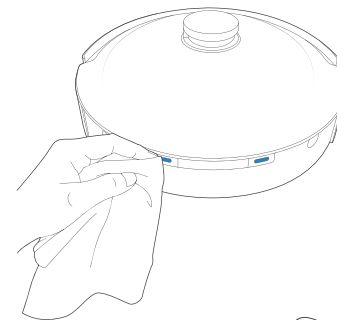
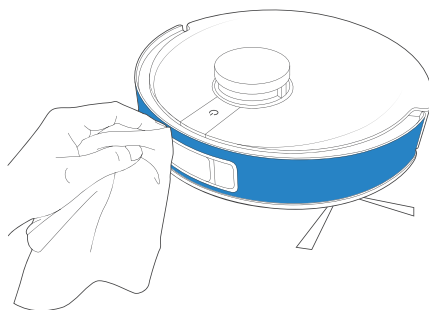
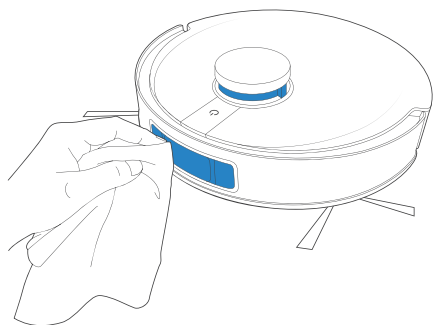


Brosses latérales



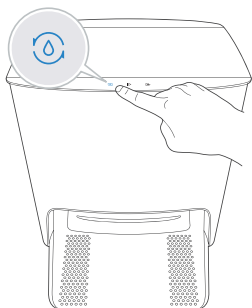
Entretien des autres composants

Remarque : Essayez les composants avec un chiffon propre et sec. Évitez d'utiliser des vaporisateurs de nettoyage ou des détergents.

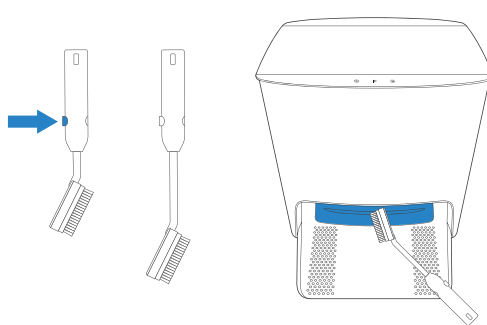


Entretien de la station de nettoyage

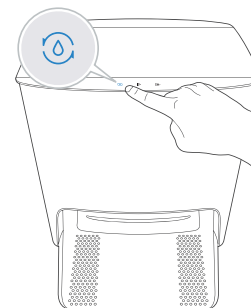
1 Ajouter de l'eau dans l'évier de nettoyage



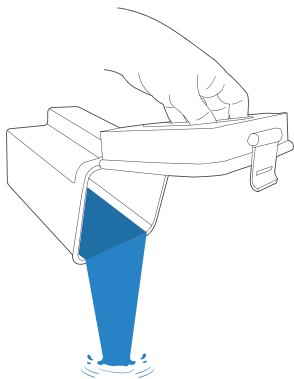
2 Nettoyer l'évier



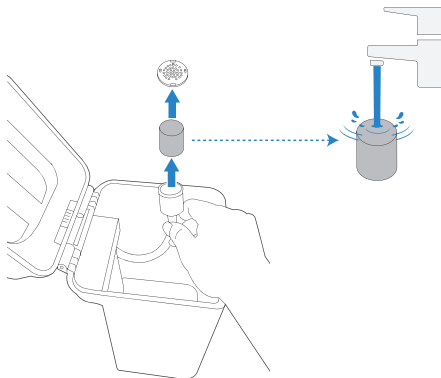
3 Vidanger l'eau de l'évier de nettoyage



4 Vider le seau d'eau sale



5 Nettoyer le filtre du seau d'eau propre






Dépannage

N°	Mauvais fonctionnement	Causes possibles	Solutions
1	DEEBOT n'est pas en mesure de se connecter à l'application ECOVACS HOME.	Le nom d'utilisateur ou le mot de passe du réseau Wi-Fi est erroné.	Entrez le bon nom d'utilisateur et le bon mot de passe Wi-Fi.
		DEEBOT ne se trouve pas à portée de votre réseau Wi-Fi résidentiel.	Assurez-vous que DEEBOT se trouve à portée de votre réseau Wi-Fi résidentiel.
		DEEBOT n'est pas en état de configuration.	Assurez-vous que DEEBOT est connectée au bloc d'alimentation et qu'il est sous tension. Ouvrez le couvercle et appuyez sur le bouton de RÉINITIALISATION. DEEBOT entre en état de configuration lorsque vous entendez un message vocal.
		Application installée incorrecte.	Veuillez télécharger et installer l'application ECOVACS HOME.
		Vous n'utilisez pas un réseau de 2,4 GHz ou un réseau mixte de 2,4 / 5 GHz.	DEEBOT ne prend pas en charge le réseau 5G. Veuillez utiliser un réseau de 2,4 GHz ou un réseau mixte de 2,4 / 5 GHz.
2	La carte est perdue.	La carte peut être perdue si vous déplacez DEEBOT lors du nettoyage.	Déplacez DEEBOT vers l'avant de la station pour récupérer la carte. Trouvez la carte restaurée dans le gestionnaire de cartes et cliquez sur Use This Map (utiliser cette carte) pour la récupérer. Si le problème persiste une fois toutes les solutions ci-dessus épuisées, veuillez recommencer la cartographie.
3	Impossible de créer une carte du mobilier dans l'application.	DEEBOT n'a pas démarré le nettoyage à partir de la station.	DEEBOT doit démarrer le nettoyage à partir de la station.
		Déplacer DEEBOT pendant le nettoyage peut causer la perte de la carte.	Pendant le nettoyage, ne déplacez pas DEEBOT dans la mesure du possible.
		Le nettoyage automatique n'est pas terminé.	Assurez-vous que DEEBOT retourne automatiquement à la station après le nettoyage.
4	Les brosses latérales de DEEBOT se sont déplacées pendant l'utilisation.	Les brosses latérales ne sont pas installées correctement.	Assurez-vous que les brosses latérales s'enclenchent lors de l'installation.

N°	Mauvais fonctionnement	Causes possibles	Solutions
5	Aucune donnée trouvée. Impossible de retourner à la station.	La station est mal placée.	Veuillez placer la station correctement conformément aux instructions de la section [Recharge de DEEBOT] .
		La station est hors tension ou a été déplacée manuellement.	Vérifiez si la station est connectée au bloc d'alimentation. Ne déplacez pas la station manuellement.
		DEEBOT n'a pas démarré le nettoyage à partir de la station.	Il est recommandé que DEEBOT commence à nettoyer à partir de la station.
		L'itinéraire de nettoyage est bloqué. Par exemple, la porte de la pièce où se trouve la station est fermée.	Gardez l'itinéraire de nettoyage bien dégagé.
6	DEEBOT retourne à la station de charge avant la fin du nettoyage.	La pièce est si grande que DEEBOT doit retourner à la station pour se recharger.	Veuillez activer le nettoyage continu. Pour plus de détails, suivez les instructions dans l'application.
		DEEBOT n'est pas en mesure d'atteindre certaines zones bloquées par des meubles ou des barrières.	Rangez la zone à nettoyer en remettant les meubles et les petits objets à leur place.
7	DEEBOT est incapable de se recharger.	DEEBOT n'est pas SOUS TENSION.	Mettez DEEBOT SOUS TENSION.
		Les contacts de recharge de DEEBOT ne sont pas connectés aux broches de la station.	Assurez-vous que les contacts de recharge du robot sont connectés aux broches de la station et que le bouton du mode AUTOMATIQUE clignote. Vérifiez si les contacts de recharge et la station de DEEBOT sont sales. Nettoyez ces pièces conformément aux instructions de la section [Entretien] .
		La station n'est pas connectée au bloc d'alimentation.	Assurez-vous que la station est connectée à l'alimentation.
		La batterie sera surchargée si DEEBOT n'est pas utilisé pendant une longue période.	Il est recommandé d'utiliser régulièrement DEEBOT. Si la batterie ne peut pas être rechargée parce qu'elle n'a pas été utilisée depuis longtemps, veuillez communiquer avec le service à la clientèle pour obtenir de l'aide.
8	Le fonctionnement est très bruyant pendant le nettoyage.	Les brosses latérales et la brosse principale sont emmêlées. Le bac à poussière et le filtre sont bloqués.	Il est recommandé de nettoyer régulièrement les brosses latérales, la brosse principale, le bac à poussière, le filtre, etc.
		DEEBOT est en mode Max.	Passez en mode standard.

N°	Mauvais fonctionnement	Causes possibles	Solutions
9	DEEBOT est bloqué pendant le nettoyage et s'arrête.	DEEBOT est bloqué par quelque chose sur le plancher (cordons électriques, rideaux, franges de tapis, etc.).	DEEBOT tentera par divers moyens de se libérer. S'il n'y arrive pas, retirez manuellement l'obstacle et redémarrez-le.
		DEEBOT peut être coincé sous un meuble avec une entrée de la même hauteur que lui.	Veuillez définir une barrière physique ou encore une délimitation virtuelle dans l'application ECOVACS HOME.
10	Pendant le nettoyage, DEEBOT ne suit pas l'itinéraire programmé, fonctionne de façon erratique, nettoie à répétition, laisse des fuites sur de petites surfaces, etc. (Si une grande surface n'a pas été nettoyée temporairement, DEEBOT corrigera la fuite de manière autonome. Parfois, DEEBOT entrera de nouveau dans une pièce nettoyée pour chercher des zones qui ont été oubliées.)	Les objets comme les câbles et les pantoufles placés sur le sol affectent le fonctionnement normal de DEEBOT.	Veuillez ranger les câbles, les pantoufles et autres objets éparpillés sur le sol avant le nettoyage. Et retirez autant que possible les objets éparpillés sur le sol. En cas de fuite, DEEBOT corrigera la fuite lui-même; n'interférez pas et ne bloquez pas l'itinéraire de nettoyage de DEEBOT.
		Il se peut que les roues motrices glissent sur le sol lorsque DEEBOT franchit les marches et les seuils de porte, ce qui affecte son jugement sur l'environnement de toute la maison.	Il est recommandé de fermer la porte de cette zone et de nettoyer celle-ci séparément. Après le nettoyage, DEEBOT retournera à son point de départ. Soyez assuré qu'il sera fonctionnel.
		Les planchers fraîchement cirés et polis ou les carreaux lisses réduisent la friction entre les roues motrices et la surface.	Veuillez attendre que la cire sèche avant de nettoyer.
		En raison de différents environnements dans la maison, certaines zones ne peuvent pas être nettoyées.	Rangez la maison pour vous assurer que DEEBOT peut entrer pour nettoyer le plancher.
		Le capteur de distance TrueMapping est sale ou bloqué par des corps étrangers.	Essayez le capteur de distance TrueMapping avec un chiffon doux propre ou éliminez les corps étrangers.
11	Le gestionnaire vidéo ne peut pas ouvrir ou n'a pas d'écran.	Échec de la connexion Wi-Fi.	Vérifiez l'état de la connexion Wi-Fi. Pour activer le gestionnaire vidéo, DEEBOT doit se trouver dans un endroit où le signal Wi-Fi est bon.
		Le gestionnaire vidéo n'est pas autorisé.	Veuillez vérifier votre consentement dans la politique de confidentialité avant d'utiliser le robot.
		En raison du temps d'attente sur le réseau, il se peut que vous ne puissiez pas ouvrir immédiatement le gestionnaire vidéo.	Veuillez réessayer plus tard.
		Le capteur de détection visuelle AIVI est bloqué.	Retirez le protecteur.

N°	Mauvais fonctionnement	Causes possibles	Solutions
12	Retard dans la télécommande.	Le signal Wi-Fi est faible, ce qui ralentit le chargement vidéo.	Utilisez DEEBOT dans des endroits où les signaux Wi-Fi sont bons.
13	Le capteur de détection visuelle AIVI ne reconnaît pas les objets.	La zone de nettoyage n'est pas bien éclairée.	La reconnaissance intelligente nécessite un éclairage suffisant. Assurez-vous que les zones à nettoyer sont bien éclairées.
		La lentille du capteur de détection visuelle AIVI est sale ou obstruée.	Nettoyez la lentille à l'aide d'un chiffon doux et propre et assurez-vous que le capteur n'est pas obstrué. Évitez d'utiliser des vaporisateurs de nettoyage ou des détergents pendant le nettoyage.
14	L'une des plaques de tampon nettoyeur ne tourne pas.	La plaque de tampon nettoyeur est bloquée par des corps étrangers.	Éliminez les corps étrangers.
15	DEEBOT ne répond pas aux instructions de la station.	DEEBOT est trop éloigné de la station.	Si DEEBOT se trouve trop loin de la station, l'application ECOVACS HOME peut aussi être utilisée pour faire fonctionner DEEBOT.
		DEEBOT et la station ne sont pas jumelés.	Débranchez la fiche de la station et attendez 10 secondes pour la réinsérer dans la prise. Mettez le robot hors tension, puis remettez-le sous tension. Poussez manuellement le robot jusqu'à la station et assurez-vous que les broches de recharge sont correctement connectées. DEEBOT démarre la recharge et un message vocal indique que le jumelage a été effectué avec succès.
16	Impossible d'activer le verrou de sécurité enfant.	Interruption des communications entre la station et DEEBOT (par exemple, à cause d'une trop grande distance ou de la présence de nombreuses cloisons)	Déplacez DEEBOT près de la station pour assurer une communication fluide, puis activez le verrou de sécurité enfant.
17	Les roues motrices sont coincées.	Les roues motrices sont coincées par des corps étrangers.	Appuyez sur les roues motrices en les faisant tourner pour vérifier si des corps étrangers sont enroulés ou bloqués. S'il y a des corps étrangers, retirez-les. Si le problème persiste, communiquez avec le service à la clientèle pour obtenir de l'aide.

N°	Mauvais fonctionnement	Causes possibles	Solutions
18	Si l'évier de nettoyage est plein et que l'eau ne peut pas être aspirée, un message vocal indique que l'évier de nettoyage est plein.	Le seau d'eau sale n'est pas installé correctement.	Tapez sur le seau d'eau sale pour vous assurer qu'il est bien en place.
		Les bouchons d'étanchéité du seau d'eau sale ne sont pas installés correctement.	Assurez-vous que les bouchons d'étanchéité sont bien installés.
		La station ne peut pas vidanger l'eau normalement.	Tapez deux fois sur  pour voir si la station peut aspirer l'eau correctement. Si le problème survient pendant le nettoyage des tampons de nettoyage, appuyez sur le bouton  et maintenez-le enfoncé pour terminer la tâche, puis tapez deux fois sur  pour voir si la station peut aspirer l'eau correctement. Si l'eau est aspirée avec succès, essayez le capteur de débordement d'eau de l'évier de nettoyage. Si la station ne réussit pas à aspirer l'eau, vérifiez s'il y a des corps étrangers entre le réservoir d'eau sale et la station et éliminez-les.
		L'orifice d'aspiration de l'évier de nettoyage est bloqué par un corps étranger.	Assurez-vous qu'il n'y a aucun corps étranger dans l'orifice d'aspiration de l'évier de nettoyage.
		Le message vocal se fait toujours entendre une fois toutes les solutions ci-dessus épuisées.	Débranchez la station et rebranchez-la. Si le problème persiste, communiquez avec le service à la clientèle pour obtenir de l'aide.

Spécifications techniques

Modèle	DEX11
Entrée nominale	20 V \equiv 2 A
Modèle de station de nettoyage	CH2108
Entrée nominale	100 à 120 V \sim 50 à 60 Hz 0,9 A
Sortie nominale	20 V \equiv 2 A

Remarque : Les spécifications techniques et celles de conception peuvent être modifiées pour l'amélioration continue du produit. Découvrez d'autres accessoires sur le site Web <https://www.ecovacs.com/global>.

Instrucciones importantes de seguridad

INSTRUCCIONES IMPORTANTES DE SEGURIDAD

LEA TODAS LAS INSTRUCCIONES ANTES DE USAR ESTE APARATO. GUARDE ESTAS INSTRUCCIONES

Solamente para uso doméstico

Cuando se utiliza un aparato eléctrico, siempre se deben seguir las precauciones básicas, incluidas las que se indican a continuación:

ADVERTENCIA: Lea todas las instrucciones y advertencias de seguridad. En caso de no seguir las advertencias e instrucciones, pueden producirse descargas eléctricas, incendios o lesiones graves.

1. No permita que se utilice como juguete. En caso de que un niño manipule el aparato o de que este funcione cerca de un niño, se debe prestar especial atención.
2. Despeje el área que se limpiará. Retire del piso los cables de alimentación y objetos pequeños que puedan enredar el aparato. Meta los flecos de las alfombras debajo de estas y retire del piso objetos como cortinas y manteles.

3. Si hay un desnivel en el área de limpieza debido a un escalón o una escalera, debe utilizar el aparato de manera tal que este pueda detectar el escalón sin caer al vacío. Puede ser necesario colocar una barrera física en el borde para evitar que la unidad se caiga. Asegúrese de que la barrera física no represente un peligro de tropiezo.
4. Utilice el aparato solamente como se describe en este manual. Utilice solamente los accesorios recomendados o vendidos por el fabricante.
5. Asegúrese de que el voltaje de la fuente de alimentación coincide con el voltaje de alimentación marcado en el puerto de carga.
6. No manipule el enchufe de alimentación ni el aparato con las manos mojadas.
7. Está prohibido el uso de baterías desechables.
8. No utilice el aparato sin instalar el depósito de polvo o los filtros.
9. No utilice la aspiradora en un área con velas encendidas u objetos frágiles dispuestos en el piso que va a limpiar.
10. No utilice ni guarde el aparato en ambientes extremadamente calientes o fríos (debajo de $-5\text{ }^{\circ}\text{C}/23\text{ }^{\circ}\text{F}$ o por encima de $40\text{ }^{\circ}\text{C}/104\text{ }^{\circ}\text{F}$).

Cargue el robot en un entorno con una temperatura por encima de 0 °C/32 °F y por debajo de 40 °C/104 °F.

11. Mantenga el cabello, la ropa suelta, las manos y todas las partes del cuerpo alejados de las aperturas y partes móviles de la unidad.
12. No utilice el aparato en una habitación donde haya un bebé o un niño dormido.
13. ÚNICAMENTE para uso en INTERIORES. No utilice el aparato en entornos exteriores, comerciales o industriales. No utilice el aparato en superficies húmedas o superficies con agua estancada.
14. No permita que el aparato recoja objetos de gran tamaño como piedras, trozos grandes de papel u otros objetos que puedan obstruirlo.
15. No utilice el aparato para recoger materiales inflamables o combustibles como gasolina, tóner de impresoras o fotocopiadoras, ni lo use en áreas donde pudiese haber estos elementos.
16. No utilice el aparato para recoger objetos que se estén quemando o soltando humo, tales como cigarrillos, cerillas, cenizas calientes ni nada que pueda provocar un incendio.
17. No coloque ningún objeto en las aberturas. No utilice la unidad con aberturas obstruidas; manténgala libre de polvo, pelusas, pelos y cualquier cosa que pueda reducir el flujo de aire.
18. Tenga cuidado de no dañar el cable de alimentación. No utilice el cable de alimentación para tirar del aparato o el puerto de carga o desplazarlos, no utilice el cable como mango, no cierre puertas si el cable está en el umbral ni tire del cable por bordes o esquinas afilados. No pase el aparato en marcha por encima del cable. Mantenga el cable alejado de superficies calientes. No tire del cable para desconectar el aparato. Para desenchufar el aparato, tome el cable de alimentación desde el enchufe.
19. Si el cable de alimentación está dañado, el fabricante o su agente de servicios deberán reemplazarlo para evitar riesgos.
20. No utilice el puerto de carga si está dañado.
21. No lo utilice si el cable de alimentación o el enchufe están dañados. No utilice el aparato o el puerto de carga si no funcionan correctamente, si se cayeron, si se dañaron,

- si se dejaron al aire libre o si entraron en contacto con agua. Debe repararlo el fabricante o su agente de servicios a fin de evitar riesgos.
22. APAGUE el interruptor de corriente antes de efectuar operaciones de limpieza y mantenimiento del aparato. Desactive todos los controles antes de desenchufar el aparato. Siempre apague el aparato antes de conectar o desconectar la boquilla motorizada.
 23. Se debe retirar el enchufe del receptáculo antes de efectuar operaciones de limpieza o mantenimiento del puerto de carga.
 24. Retire el aparato del puerto de carga y APAGUE el interruptor de corriente antes de quitar la batería para desechar el aparato.
 25. Antes de desechar el aparato, debe quitar y desechar la batería de acuerdo con las leyes y normativas locales.
 26. Deseche las baterías usadas de acuerdo con las leyes y normativas locales.
 27. No incinere el aparato incluso si presenta un daño grave. Las baterías pueden explotar y provocar un incendio.
 28. Cuando no utilice el puerto de carga durante un período prolongado, desenchúfelo.
 29. El aparato debe utilizarse de acuerdo con las instrucciones de este Manual de instrucciones. ECOVACS ROBOTICS no se hace responsable por los daños o lesiones causados por el uso indebido del aparato.
 30. Evite un arranque accidental. Asegúrese de que el interruptor está en la posición de apagado antes de conectar a la batería, recoger o transportar el aparato.
 31. Cuando no esté utilizando la batería, manténgala alejada de los objetos metálicos, como sujetapapeles, monedas, llaves, clavos, tornillos u otros objetos pequeños de metal que puedan hacer una conexión entre un terminal y otro. Producir cortocircuitos en los terminales de la batería puede causar quemaduras o incendios.
 32. En condiciones indebidas, la batería puede expulsar líquido; evite el contacto con este. En caso de que se produzca contacto accidental, enjuague con agua. Adicionalmente, si el líquido entra en contacto con los ojos, busque atención médica. El líquido expulsado por la batería puede causar irritación en la piel o

quemaduras.

33. No utilice baterías ni aparatos que estén dañados o se hayan modificado. Las baterías dañadas o modificadas pueden tener comportamientos impredecibles que pueden causar incendios, explosiones o riesgo de lesiones.
34. No exponga la batería o el aparato al fuego o a temperaturas demasiado elevadas. La exposición al fuego o a temperaturas por encima de 130 °C puede causar una explosión. Una temperatura de 130 °C es equivalente a 265 °F.
35. Siga todas las instrucciones de carga y no cargue la batería ni el aparato si la temperatura excede el rango de temperatura especificado en las instrucciones. Cargar el aparato de manera incorrecta o a temperaturas que estén fuera del rango especificado puede dañar la batería y aumentar el riesgo de incendio.
36. El mantenimiento debe hacerlo una persona calificada para realizar reparaciones y que utilice solamente piezas de reemplazo idénticas a las originales. Esto garantizará que se preserve la seguridad del producto.
37. No modifique ni intente reparar el aparato o la batería (según corresponda), excepto según lo indicado en las instrucciones de uso y cuidado.
38. Coloque los cables de otros dispositivos fuera de la zona que se va a limpiar.
39. No utilice la aspiradora en una habitación donde haya velas encendidas sobre muebles que la aspiradora pueda tropezar o golpear accidentalmente.
40. No permita que los niños se sienten sobre el aparato.
41. Utilice el aparato tal y como se describe en este manual. Utilice solo los accesorios recomendados por el fabricante.
42. Recargue únicamente con el cargador especificado por el fabricante. Un cargador que es apto para un tipo de batería puede implicar un riesgo de incendio si se utiliza con otra batería.
43. Utilice los aparatos solo con baterías específicamente designadas. El uso de cualquier otra batería puede implicar riesgo de lesiones e incendios.

44. El robot contiene baterías que solo pueden ser reemplazadas por personas calificadas. Para sustituir la batería del robot, comuníquese con el Servicio al cliente.
45. Si no utilizará el robot por un período prolongado, cargue la batería por completo, APAGUE el robot para almacenarlo y desconecte el puerto de carga.
46. Para reducir el riesgo de descarga eléctrica, asegúrese de no utilizar el aparato en superficies húmedas. No lo exponga a la lluvia. Guárdelo en un lugar cerrado.
47. Desconecte el aparato antes de hacerle mantenimiento a fin de reducir el riesgo de lesiones a causa de las piezas en movimiento.
48. Riesgo de lesiones. El cepillo podría activarse inesperadamente. Desconéctelo antes de utilizarlo o de hacerle mantenimiento.
49. Para reducir el riesgo de lesiones, el usuario debe leer el manual de instrucciones.
50. Para reducir el riesgo de descarga eléctrica, no utilice el aparato en exteriores o superficies húmedas.

≡	Corriente continua
~	Corriente alterna

Este dispositivo cumple con las normas de radiación del DHHS, título 21 del CFR, capítulo 1, subcapítulo J.

Declaración de interferencia de la Comisión Federal de Comunicaciones (FCC)

Se sometió a prueba el equipo y se demostró que cumple con los límites para un dispositivo digital de clase B, conforme a la parte 15 de las normas de la FCC.

Estos límites están diseñados para proporcionar una protección razonable contra interferencias perjudiciales en una instalación residencial. Este equipo genera, utiliza y puede irradiar energía de radiofrecuencia y, si no se instala y utiliza según las instrucciones, puede provocar interferencias perjudiciales en las comunicaciones de radio.

Sin embargo, no hay garantía de que no se producirán interferencias en una instalación en particular. Si este equipo causa interferencias perjudiciales para la recepción de radio o televisión, lo cual puede determinarse apagando y encendiendo el equipo, se recomienda al usuario que intente corregir la interferencia mediante una de las siguientes medidas:

- Vuelva a orientar o ubicar la antena receptora.
- Aumente la separación entre el equipo y el receptor.
- Conecte el equipo a una toma de corriente en un circuito distinto al que está conectado el receptor.
- Consulte al distribuidor o a un técnico experto en aparatos de radio y televisión para obtener ayuda.

Este dispositivo cumple con la parte 15 de las normas de la FCC. El funcionamiento está sujeto a las siguientes dos condiciones:

(1) este dispositivo no debe causar interferencias

perjudiciales, y (2) este dispositivo debe aceptar cualquier interferencia recibida, incluidas las interferencias que puedan causar un funcionamiento inadecuado.

Precaución de la FCC: Los cambios o modificaciones que no hayan sido expresamente aprobados por la parte responsable del cumplimiento podrían anular la autoridad del usuario para operar este equipo.

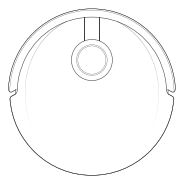
Advertencia de exposición a RF

Este equipo cumple con los límites de exposición a la radiación establecidos por la FCC para un entorno no controlado.

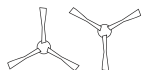
Este equipo se debe instalar y utilizar de acuerdo con las instrucciones proporcionadas, y las antenas utilizadas para este transmisor deben instalarse de modo de proporcionar una distancia de separación de al menos 20 cm de todas las personas y no debe colocarse ni utilizarse conjuntamente con ninguna otra antena o transmisor.

Para desactivar el módulo Wi-Fi del DEEBOT y la estación, encienda el robot. Coloque el robot en la estación de limpieza asegurándose de que DEEBOT esté en estado de carga. Mantenga presionado el botón Recuperar/Salir en la estación durante 30 segundos. Mantenga presionado el botón de modo automático en el robot durante 30 segundos. Para activar el módulo Wi-Fi del DEEBOT y la estación, apague el robot y enciéndalo de nuevo. Y desconecte la estación y vuelva a conectarla.

Contenido del paquete



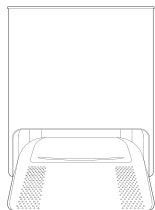
Robot



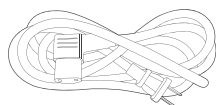
Cepillos laterales dobles



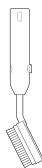
Almohadillas para trapeado lavables



Estación de limpieza



Cable de alimentación



Cepillo de limpieza



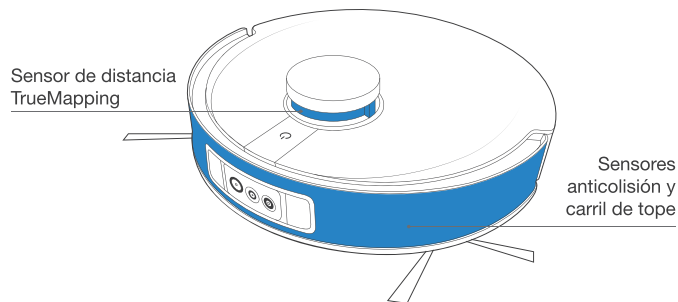
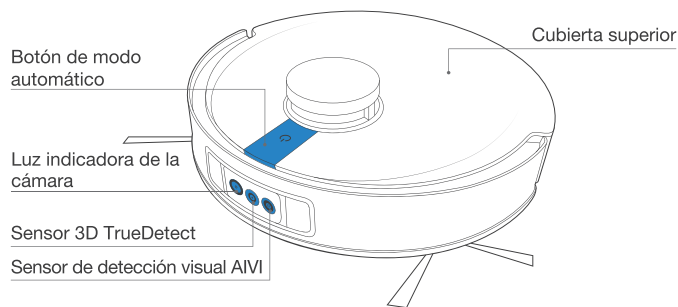
Manual de instrucciones



Herramienta de limpieza multifuncional

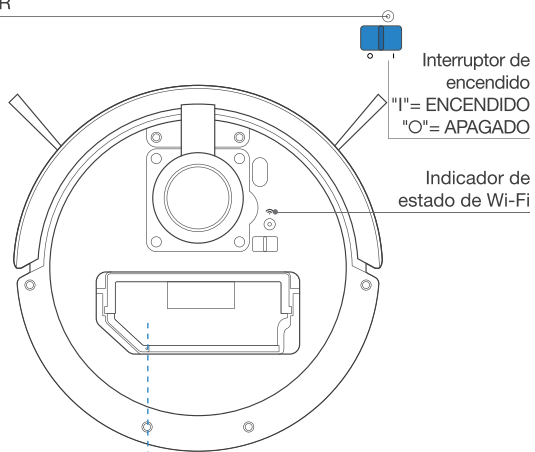
Diagrama del producto

Robot

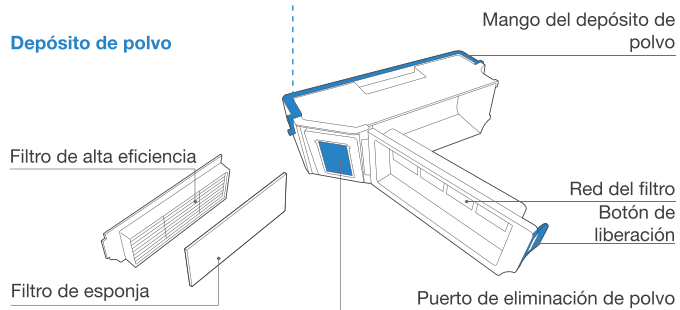


Nota: Las cifras e ilustraciones son solo de referencia y pueden diferir de la apariencia real del producto. El diseño y las especificaciones del producto están sujetas a cambios sin previo aviso.

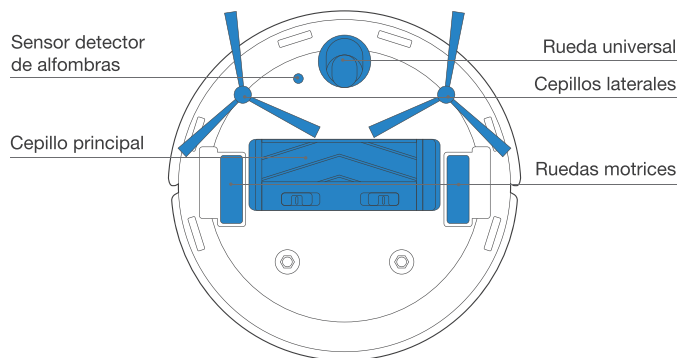
Botón REINICIAR



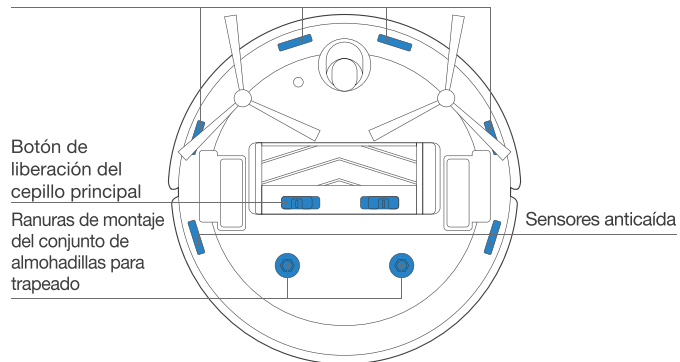
Depósito de polvo



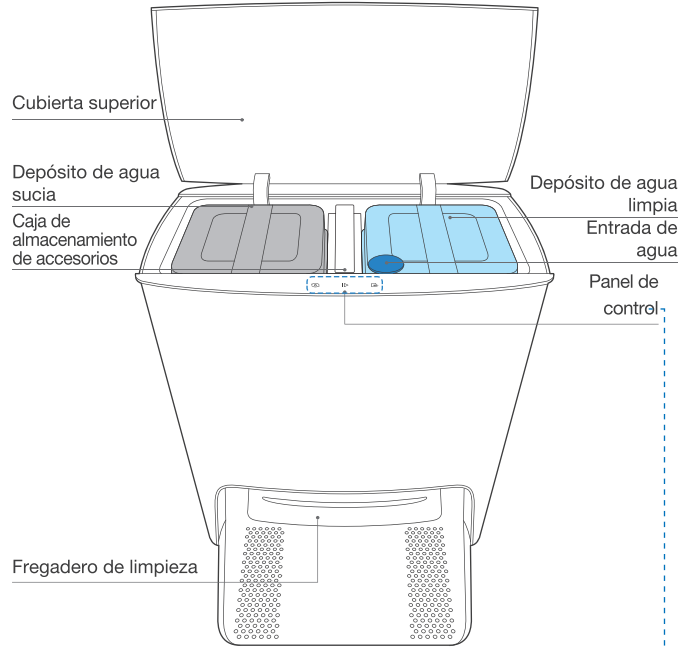
Vista inferior



Sensores anticaída



Estación de limpieza



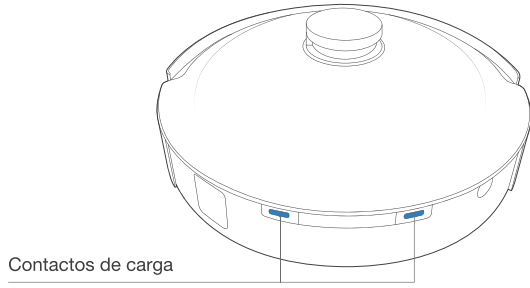
Botón Panel de control

Botón de limpieza automática

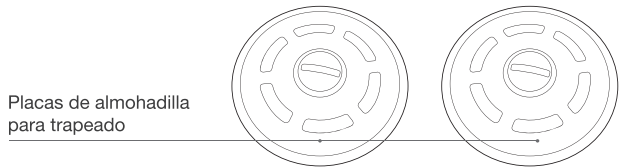
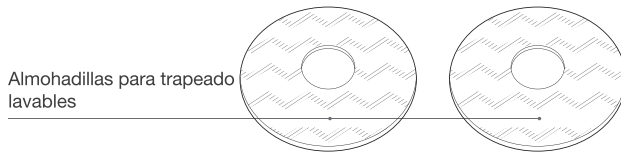


Botón Recuperar/Salir

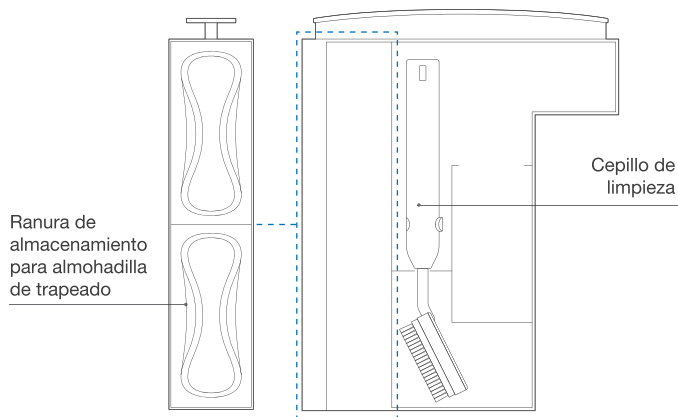
Botón de Inicio/Pausa



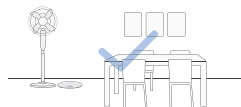
Conjunto de almohadilla para trapeado



Caja de almacenamiento de accesorios



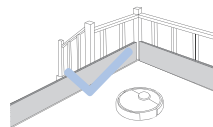
Observaciones que se deben tener en cuenta antes de limpiar



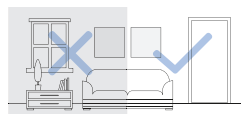
Despeje el área a limpiar y ubique muebles, tales como sillas, en un lugar apropiado.



Durante el primer uso, asegúrese de que cada puerta de la habitación esté abierta para ayudar a DEEBOT a explorar completamente su casa.



Puede ser necesario poner una barrera física en la orilla de algún desnivel para impedir que la unidad se caiga.



Asegúrese de que las áreas que se vayan a limpiar estén bien iluminadas a fin de que la detección visual funcione correctamente. Quite del piso los cables de alimentación y los objetos pequeños para garantizar la eficacia de la limpieza.



Quite los objetos que estén en el piso, incluidos cables, toallas y pantuflas, etc., para mejorar la eficiencia de la limpieza.



Limpie el sensor de detección visual AIVI y el sensor de distancia TrueMapping con un paño limpio y evite usar detergente o un rociador de limpieza.



Antes de utilizar el producto sobre una alfombra con bordes de flecos, doble los bordes debajo de esta.



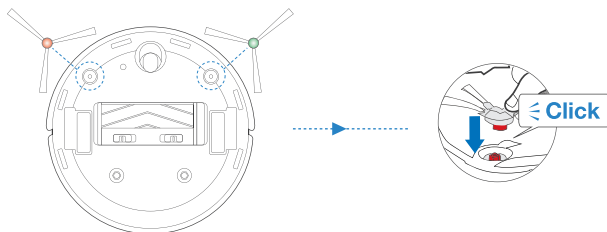
No se pare en espacios estrechos, como pasillos, y asegúrese de no bloquear el sensor de detección.

Inicio rápido

Antes de utilizar el DEEBOT, retire todas las películas protectoras o las tiras protectoras del DEEBOT y la estación de limpieza.

Instale el cepillo lateral

Asegúrese de que el color del cepillo lateral coincida con el de la ranura de montaje.



Aplicación ECOVACS HOME

Para disfrutar de todas las funciones disponibles, se recomienda controlar su DEEBOT a través de la aplicación ECOVACS HOME.

Antes de comenzar, asegúrese de que se cumplan las siguientes condiciones:

- Su teléfono celular está conectado a una red Wi-Fi.
- La señal inalámbrica de banda de 2.4 GHz o 2.4/5 GHz está activada en su router.
- La luz indicadora de Wi-Fi de DEEBOT parpadea lentamente.



Luz indicadora de Wi-Fi

	Parpadea lentamente	Desconectado del Wi-Fi o esperando una conexión Wi-Fi
	Parpadea rápidamente	Conectando al Wi-Fi
	Fija	Conectado al Wi-Fi

Conexión de Wi-Fi

Antes de configurar el Wi-Fi, asegúrese de que su DEEBOT, teléfono celular y la red Wi-Fi cumplen con los siguientes requisitos.

Requisitos de DEEBOT y del teléfono celular

- DEEBOT está completamente cargado y el interruptor de corriente de DEEBOT está encendido.
- La luz de estado del Wi-Fi parpadea lentamente.
- Los datos móviles del teléfono celular están desactivados (puede volver a activarlos después de la configuración).

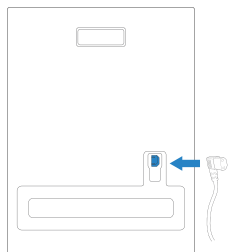
Requisitos de la red Wi-Fi:

- Usar una red de 2.4 GHz o mixta de 2.4/5 GHz.
- El router debe ser compatible con el estándar 802.11b/g/n e IPv4.
- No utilizar una red privada virtual (VPN) ni un servidor proxy.
- No utilizar una red oculta.
- WPA y WPA2 con cifrado TKIP, PSK o AES/CCMP.
- WEP y EAP (protocolo de autenticación empresarial) no son compatibles.
- Usar canales Wi-Fi 1-11 en Norteamérica y canales 1-13 fuera de Norteamérica
(consulte a la agencia normativa local).
- Si utiliza un repetidor o extensor de red, el nombre de red (SSID) y la contraseña deben ser los mismos que los de su red principal.

Tenga en cuenta que la realización de funciones inteligentes, como el arranque remoto, la interacción de voz, la configuración de la pantalla de mapas en 2D/3D y los controles y la limpieza personalizada (según los diferentes productos) requiere que los usuarios descarguen y utilicen la aplicación ECOVACS HOME, que se actualiza constantemente. Debe aceptar nuestra Política de privacidad y nuestro Acuerdo de usuario antes de que podamos procesar cierta parte de su información básica y necesaria y permitirle operar el producto a través de la aplicación ECOVACS HOME. Si no está de acuerdo con nuestra Política de privacidad y nuestro -Acuerdo de usuario, algunas de las funciones inteligentes mencionadas anteriormente no se podrán realizar a través de la aplicación ECOVACS HOME, pero aún puede utilizar las funciones básicas de este producto para el funcionamiento manual.

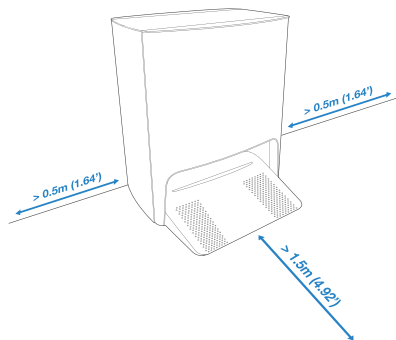
Carga del DEEBOT

1 Monte la estación de limpieza



2 Ubicación de la estación de limpieza

Mantenga el área alrededor de la estación libre de objetos y superficies de objetos reflectantes.

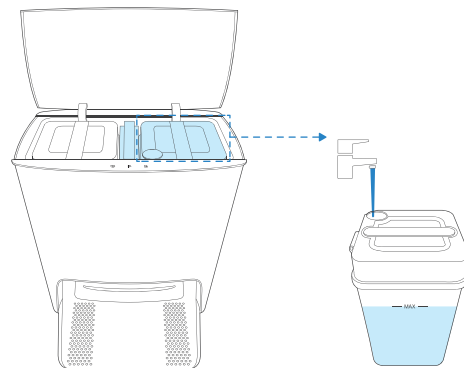


* Si hay objetos reflectantes, como espejos y líneas protectoras reflectantes cerca de la estación, se les debe los 14 cm inferiores.

No exponga la estación a la luz solar directa.

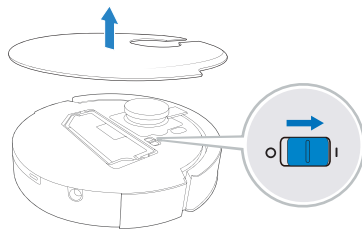
Se recomienda colocar la estación en un suelo duro para experimentar todas las funciones del robot.

3 Agregue agua al depósito de agua limpia



Nota: Se recomienda utilizar la solución de limpieza DEEBOT de ECOVACS (se vende por separado). El uso de otra solución de limpieza puede causar deslizamiento del DEEBOT, bloqueo del depósito de agua y otros problemas.

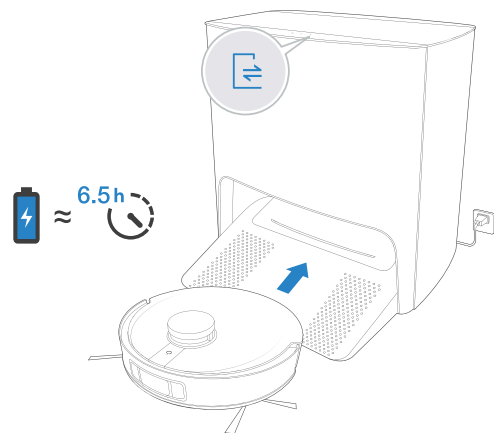
4 Enciéndalo



Nota: I = ENCENDIDO, O = APAGADO.

El DEEBOT no se puede cargar cuando está APAGADO.

5 Cargue el DEEBOT



Se recomienda que el DEEBOT comience la limpieza desde la estación. No mueva la estación durante la limpieza.

Funcionamiento del DEEBOT

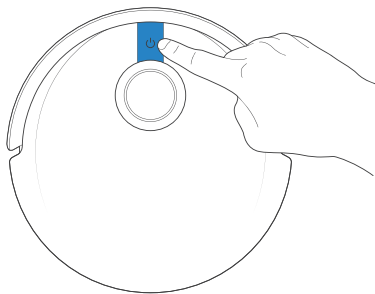
Cuando cree un mapa por primera vez, siga al DEEBOT para ayudar a eliminar algunos problemas menores.

Por ejemplo, el DEEBOT puede atascarse en los muebles bajos. Consulte las siguientes soluciones:

- 1 Levante los muebles si es posible.
- 2 Cubra la parte inferior de los muebles.
- 3 Configure una barrera virtual a través de la aplicación.

1 Inicio

Presione  en el DEEBOT O  en la estación de limpieza para comenzar

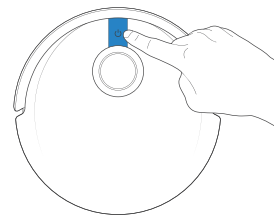


Nota:

1. Para la limpieza por primera vez, asegúrese de que el DEEBOT esté completamente cargado.
2. No se recomienda montar placas de almohadillas de limpieza para la primera limpieza.



2 Pausa/Reactivación

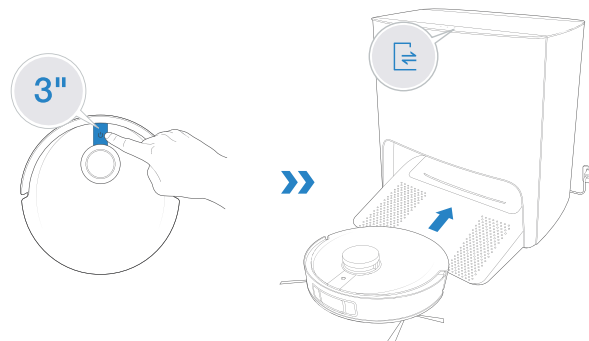
Toque  en el DEEBOT o  en la estación de limpieza para pausar.



Nota: La luz indicadora se apagará después de que el robot esté pausado durante unos minutos. Presione el botón de modo automático en el DEEBOT para volver encender el robot.

3 Volver a la estación

Toque  durante 3 segundos para finalizar la tarea actual. Toque  para recuperar el DEEBOT y que regrese a Estación de limpieza.

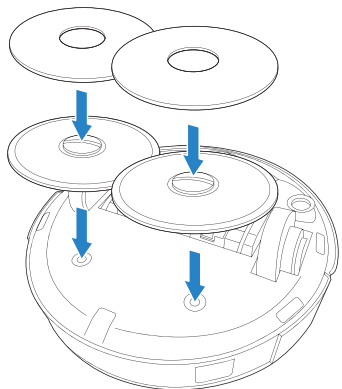


Nota: Cuando el DEEBOT no se encuentre limpiando, se recomienda mantenerlo encendido y cargando.

Trapeado

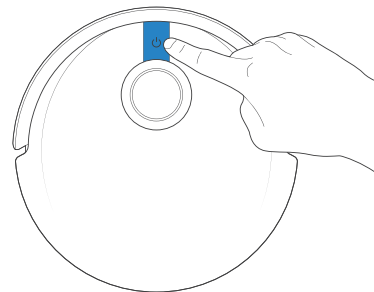
1. El depósito del DEEBOT se puede rellenar automáticamente a través de la estación de limpieza.
2. No utilice la función de trapeado sobre alfombras.

- 1 Conecte las almohadillas para trapeado y las placas de las almohadillas para trapeado.



2 Trapeador

Toque  en el DEEBOT o  en la estación de limpieza para comenzar a trapear.



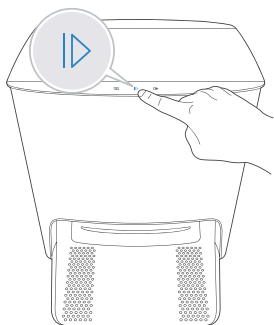
Nota:

1. Para prolongar la vida útil del depósito, no retire frecuentemente las almohadillas para trapeado lavables.
2. No utilice un trapo ni ningún otro objeto para raspar las placas de las almohadillas para trapeado.
3. Cuando la aplicación ECOVACS HOME le indique que las mopas deben reemplazarse, reemplácelas a tiempo.

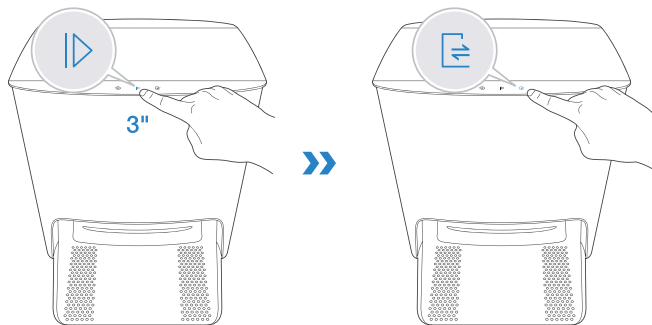
Explore más accesorios en la aplicación ECOVACS HOME o en <https://www.ecovacs.com/global>.

Estación de limpieza

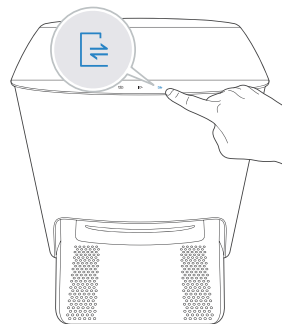
1 Iniciar/Pausar del DEEBOT



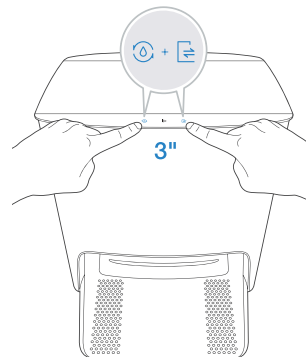
2 Recuperar el DEEBOT



3 Indicar al DEEBOT que salga de la estación de limpieza



4 Bloqueo para niños activado/desactivado



Quando la opción de bloqueo para niños está activada, la el teclado táctil del DEEBOT y la estación se bloquearán para garantizar la seguridad. Repita el mismo paso para desactivar el bloqueo para niños.

Mantenimiento frecuente

Para mantener el rendimiento del DEEBOT al máximo, realice las tareas de mantenimiento y reemplace las piezas que correspondan según la frecuencia que se indica a continuación:

Pieza del robot	Frecuencia de mantenimiento	Frecuencia de reemplazo
Almohadilla para trapeado lavable	/	Cada 1 a 2 meses
Cepillo lateral	Una vez cada 2 semanas	Cada 3 a 6 meses
Cepillo principal	Una vez por semana	Cada 6 a 12 meses
Filtro de esponja/filtro de alta eficiencia	Una vez por semana	Cada 3 a 6 meses
Sensor 3D TrueDetect Sensor de detección visual AIVI Sensor de distancia TrueMapping Rueda universal Sensores anticaída Carril de tope Contactos de carga Clavijas de la estación de limpieza	Una vez por semana	/
Fregadero de limpieza	Una vez cada 2 semanas	/
Depósito de agua limpia	Una vez cada 3 meses	/
Depósito de agua sucia	Después de cada trapeado	/
Estación de limpieza	Una vez al mes	/

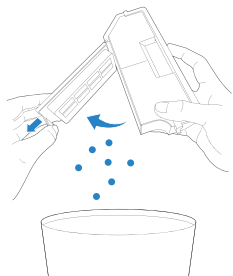
Antes de realizar las tareas de limpieza y mantenimiento del DEEBOT, apague el robot y desconecte la estación de limpieza.

Para facilitar el mantenimiento se proporciona una herramienta de limpieza multifuncional. Manéjela con cuidado; esta herramienta de limpieza tiene bordes afilados.

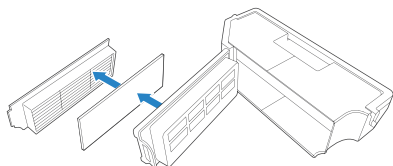
Nota: ECOVACS fabrica diversos accesorios y piezas de reemplazo. Comuníquese con Servicio al cliente para obtener más información sobre las piezas de reemplazo.

Mantenimiento del depósito de polvo y filtros

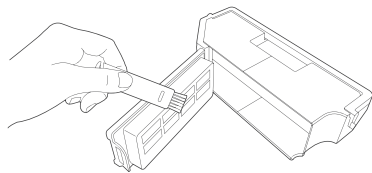
1



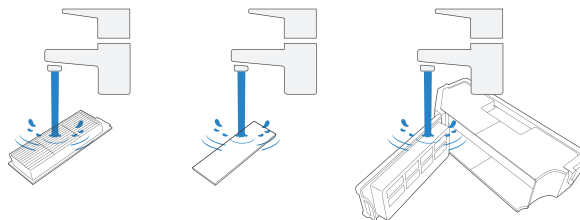
2



3



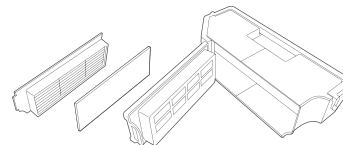
4



Nota:

1. Enjuague el filtro con agua, como se muestra arriba.
2. No utilice los dedos ni un cepillo para limpiar el filtro de alta eficiencia.

5

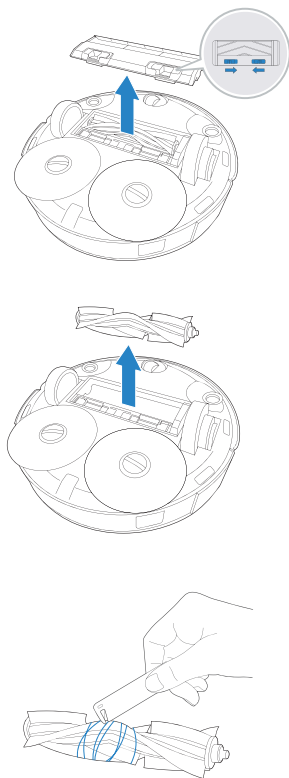


Nota:

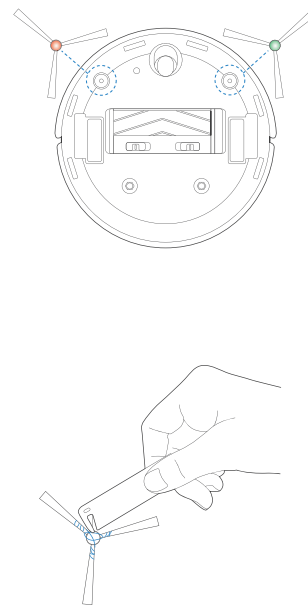
- Seque completamente el filtro antes de usarlo.
Explore más accesorios en la aplicación ECOVACS HOME o en <https://www.ecovacs.com/global>.

Mantenimiento del cepillo principal y Cepillos laterales

Cepillo principal

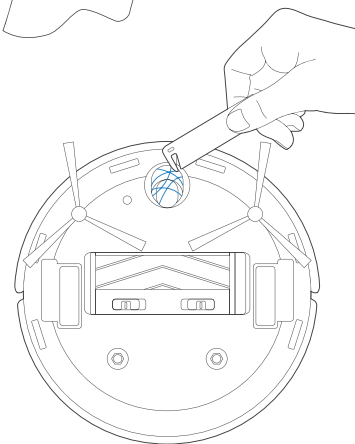
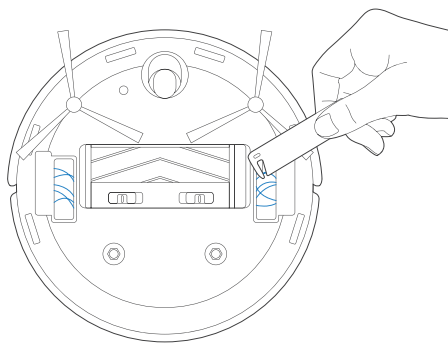
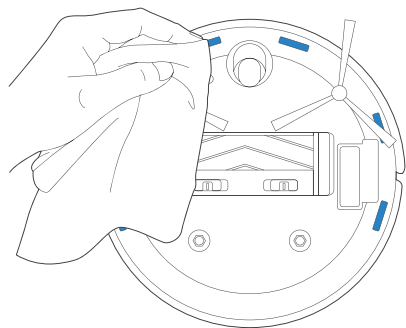
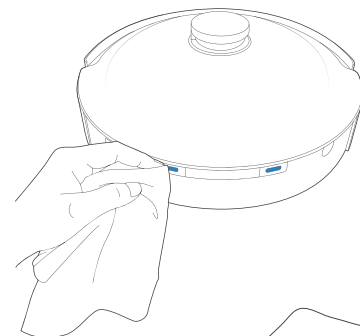
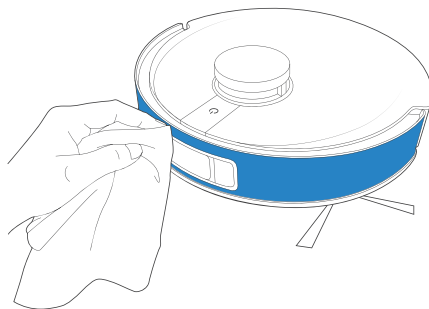
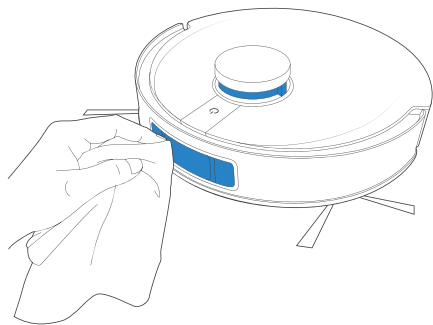


Cepillos laterales



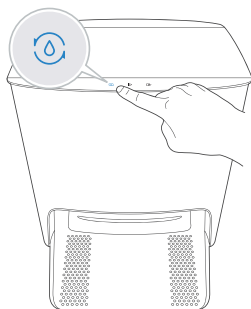
Mantenimiento de otros componentes

Nota: Limpie los componentes con un paño limpio y seco. Evite el uso de aerosoles de limpieza o detergentes.

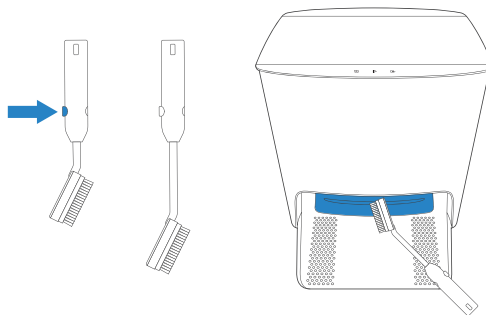


Mantenimiento de la estación de limpieza

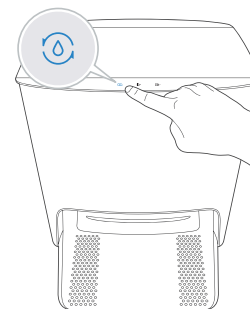
1 Agregue agua al fregadero de limpieza



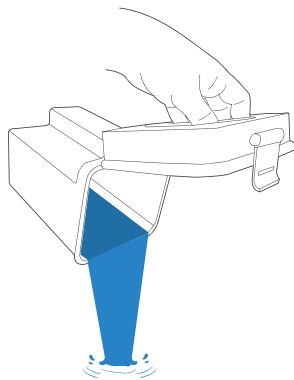
2 Limpie el fregadero de limpieza



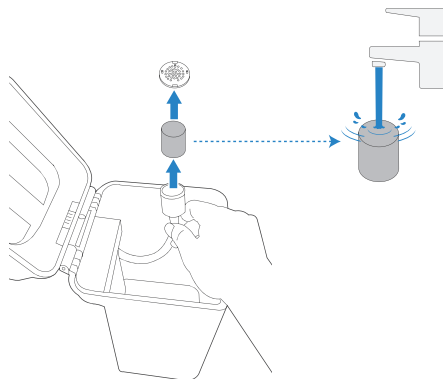
3 Drenar el agua del fregadero de limpieza



4 Vaciar el depósito de agua sucia



5 Limpiar el filtro del depósito de agua limpia






Solución de problemas

N.º	Falla	Posibles causas	Soluciones
1	El DEEBOT no puede conectarse a la aplicación ECOVACS HOME.	El nombre de usuario o la contraseña de la red Wi-Fi doméstica ingresada es incorrecta.	Ingrese el nombre de usuario y la contraseña de la red Wi-Fi doméstica correctamente.
		El DEEBOT no se encuentra dentro del rango de la señal de Wi-Fi doméstica.	Asegúrese de que el DEEBOT se encuentra dentro del rango de la señal de Wi-Fi doméstica.
		El DEEBOT no está en el estado de configuración.	Asegúrese de que el DEEBOT esté conectado a la fuente de alimentación y encendido. Abra la tapa y presione el botón REINICIAR. El DEEBOT ingresará al estado de configuración cuando escuche una indicación de voz.
		Aplicación incorrecta instalada.	Descargue e instale la aplicación ECOVACS HOME.
		No se está usando una red de 2.4 GHz o una red mixta de 2.4/5 GHz.	El DEEBOT no es compatible con la red 5G. Use una red de 2.4 GHz o mixta de 2.4/5 GHz.
2	El mapa se pierde.	Es posible que el mapa se pierda si mueve el DEEBOT cuando limpia.	Mueva el DEEBOT al frente de la estación para recuperar el mapa. Encuentre el mapa restaurado en Administración de mapas y toque "Usar este mapa" para recuperarlo. Si el problema persiste después de probar las soluciones anteriores, reinicie el mapeo.
3	No se puede crear un mapa de muebles en la aplicación.	El DEEBOT no empieza a limpiar desde la estación.	El DEEBOT debe comenzar a limpiar desde la estación.
		Mueva el DEEBOT cuando la limpieza pueda causar la pérdida de la mopa.	Durante la limpieza, no mueva el DEEBOT lo más lejos posible.
		La limpieza automática no está completa.	Asegúrese de que el DEEBOT regrese automáticamente a la estación después de la limpieza.
4	Los cepillos laterales del DEEBOT se salen de su lugar durante su uso.	Los cepillos laterales no están instalados correctamente.	Asegúrese de que los cepillos laterales se encajen en su lugar al instalarlos.

N.º	Falla	Posibles causas	Soluciones
5	No se encontró ninguna señal. No se puede volver a la estación.	La estación está colocada incorrectamente.	Coloque la estación correctamente de acuerdo con las instrucciones que se indican en la sección[Carga del DEBOOT].
		La estación no tiene alimentación eléctrica o se mueve manualmente.	Compruebe si la estación está conectada a la fuente de alimentación. No mueva manualmente la estación.
		El DEEBOT no empieza a limpiar desde la estación.	Se recomienda que el DEBOOT comience la limpieza desde la estación.
		La ruta de carga está bloqueada. Por ejemplo, la puerta de la habitación donde se encuentra la estación está cerrada.	Mantenga la ruta de carga despejada.
6	El DEEBOT regresa a la estación antes de terminar la limpieza.	La habitación es tan grande que el DEEBOT necesita volver para recargar.	Active la limpieza continua. Para obtener más detalles, siga las instrucciones de la aplicación.
		El DEEBOT no puede llegar a ciertas áreas bloqueadas por muebles o barreras.	Despeje el área que se limpiará y ponga muebles y objetos pequeños en un lugar apropiado.
7	El DEEBOT no se puede cargar.	El DEEBOT no enciende.	Encienda el DEEBOT.
		Los contactos de carga del DEEBOT no están conectados a las clavijas de la estación.	Asegúrese de que los contactos de carga del robot se hayan conectado a las clavijas de la estación y que el botón de modo automático parpadee. Compruebe si los contactos de carga del DEEBOT y la estación están sucios. Limpie estas piezas de acuerdo con las instrucciones detalladas en la sección de [Mantenimiento] .
		La estación no está conectada a la fuente de alimentación.	Asegúrese de que la estación esté conectada a la fuente de alimentación.
		La batería se sobrecargará si el DEEBOT no se utiliza durante un período prolongado.	Se recomienda usar el DEEBOT periódicamente. Si la batería no se puede cargar porque no se ha utilizado durante mucho tiempo, comuníquese con el servicio de atención al cliente para obtener ayuda.
8	El funcionamiento es muy ruidoso durante la limpieza.	Los cepillos laterales y el cepillo principal están enredados. El depósito de polvo y el filtro están bloqueados.	Se recomienda limpiar regularmente los cepillos laterales, el cepillo principal, el depósito de polvo, el filtro, etc.
		El DEEBOT está en modo máximo.	Cambie a modo estándar.
9	El DEEBOT se atasca durante el tiempo en funcionamiento y se detiene.	El DEEBOT se enredó con algo en el piso (cables eléctricos, cortinas, borde de alfombra, etc.).	El DEEBOT intentará diversas maneras para liberarse. Si no tiene éxito, retire manualmente los obstáculos y reinicie.
		El DEEBOT puede estar atascado debajo de un mueble con una entrada de altura similar.	Ponga una barrera física o establezca una barrera virtual a través de la aplicación ECOVACS HOME.

N.º	Falla	Posibles causas	Soluciones
10	Durante la limpieza, el DEEBOT aparece en el desorden de la ruta, tendencia de funcionamiento, limpieza repetida, fuga de áreas pequeñas, etc. (Si hay un área grande que no se haya barrido por cierto tiempo, el DEEBOT compensará la fuga de manera independiente. A veces, el DEEBOT volverá a entrar a una sala limpia para encontrar cualquier área que haya quedado faltante).	Los objetos tales como cables y pantuflas que están en el suelo afectan el funcionamiento normal del DEBOOT.	Antes de la limpieza, ordene los cables dispersos, las pantuflas y otros objetos que estén en el suelo. Y reduzca los objetos dispersos en el suelo tanto como sea posible. Si sucede alguna fuga en el área, el DEEBOT corregirá la fuga por su cuenta; no interfiera (como mover el DEEBOT o bloquear la ruta).
		Puede ser que las ruedas motrices se deslicen en el suelo cuando el DEEBOT sube escaleras, umbrales y barras de puertas, lo que afecta su evaluación del entorno de toda la casa.	Se recomienda cerrar la puerta de esta área y limpiar el área por separado. Después de la limpieza, el DEEBOT regresará a la ubicación inicial. Tenga la seguridad de utilizarlo.
		Trabaje en pisos recién encerados y pulidos o en azulejos lisos, lo que genera menos fricción entre las ruedas motrices y el piso.	Espere a que la cera se seque antes de la limpieza.
		Debido a los diferentes entornos domésticos, algunas áreas no se pueden limpiar.	Limpie el entorno doméstico para asegurarse de que el DEEBOT pueda entrar para realizar la limpieza.
		El sensor de distancia TrueMapping está sucio o bloqueado por sustancias extrañas.	Limpie el sensor de distancia TrueMapping con un paño suave limpio o elimine las sustancias extrañas.
11	El Administrador por video no se abre o no tiene pantalla.	Error de conexión Wi-Fi.	Verifique el estado de la conexión Wi-Fi. El DEEBOT debe estar en un área con buena señal Wi-Fi para activar el Administrador por video.
		El Administrador por video no está autorizado.	Verifique su consentimiento en la Política de privacidad antes de utilizar el robot.
		Debido a la latencia de la red, es posible que no pueda abrir el Administrador por video temporalmente.	Inténtelo de nuevo más tarde.
		El sensor de detección visual AIVI está bloqueado.	Quite el blindaje.
12	Retraso en el control remoto.	La señal Wi-Fi es deficiente, lo que provoca que la carga de video sea lenta.	Utilice el DEEBOT en áreas con buena señal Wi-Fi.

N.º	Falla	Posibles causas	Soluciones
13	El sensor de detección visual AIVI no puede reconocer objetos.	La zona de limpieza no está bien iluminada.	El reconocimiento inteligente requiere suficiente iluminación. Asegúrese de que las zonas que se limpiarán estén bien iluminadas.
		La lente del sensor de detección visual AIVI está sucia o bloqueada.	Limpie la lente con un paño suave limpio y asegúrese de que el sensor no esté bloqueado. Evite usar cualquier detergente o aerosol limpiador durante la limpieza.
14	La placa de almohadilla para trapeado no gira.	La placa de almohadilla para trapeado está bloqueada por objetos extraños.	Limpie los objetos extraños.
15	El DEEBOT no responde a las instrucciones de la estación.	El DEEBOT está demasiado lejos de la estación.	Si se encuentra fuera de la distancia disponible, también se puede utilizar la aplicación ECOVACS HOME para operar el DEEBOT.
		El DEEBOT y la estación no están emparejados.	Desconecte el enchufe de la estación y espere 10 segundos para volver a insertar el enchufe. Apague el robot y vuelva a encenderlo. Empuje manualmente el robot hasta la estación y asegúrese de que las clavijas de carga estén conectadas correctamente. A continuación, el DEEBOT comenzará a cargarse, y el emparejamiento de indicaciones de voz se realizará correctamente.
16	Error al activar el bloqueo para niños.	Interrupción de la comunicación entre la estación y el DEEBOT (por ejemplo: distancias largas o muchos muros divisorios)	Mueva el DEEBOT cerca de la estación para garantizar una comunicación sin problemas y, a continuación, active el bloqueo para niños.
17	Las ruedas motrices se bloquearon.	Objetos extraños bloquean las ruedas motrices.	Gire y presione las ruedas motrices para comprobar si hay algún objeto extraño envuelto o atascado. Si hay algún objeto extraño, límpielo a tiempo. Si el problema persiste, comuníquese con el servicio de atención al cliente para obtener ayuda.

N.º	Falla	Posibles causas	Soluciones
18	Cuando el fregadero de limpieza está lleno y el agua no se puede extraer por succión, el informe de voz dice que el fregadero de limpieza está lleno.	El depósito de agua sucia no está instalado correctamente.	Golpee suavemente el depósito de agua sucia para asegurarse de que esté instalado correctamente.
		Los tapones de sellado en el depósito de agua sucia no están instalados correctamente.	Asegúrese de verificar que los tapones de sellado estén instalados correctamente.
		La estación no puede drenar el agua normalmente.	Toque dos veces  para ver si la estación puede extraer el agua correctamente. Si el problema se produce durante el proceso de limpieza de las almohadillas para trapeado, mantenga presionado  para finalizar la tarea y luego toque dos veces  para ver si la estación puede extraer el agua correctamente. Si el agua se extrae correctamente, seque el sensor de exceso de agua del fregadero de limpieza. Si la estación no extrae el agua, revise entre el depósito de agua sucia y la estación para ver si hay sustancias extrañas y límpielas.
		El orificio de succión del fregadero de limpieza está bloqueado por objetos extraños.	Asegúrese de que no haya ningún objeto extraño en el orificio de succión del fregadero de limpieza.
		La indicación de voz sigue existiendo después de probar las soluciones anteriores.	Desconecte la estación y vuelva a conectarla. Si el problema persiste, comuníquese con el servicio de atención al cliente para obtener ayuda.

Especificaciones técnicas

Modelo	DEX11
Entrada nominal	20 V \equiv 2 A
Modelo de estación de limpieza	CH2108
Entrada nominal	De 100 a 120 V \sim De 50 a 60 Hz 0,9 A
Salida nominal	20 V \equiv 2 A

Nota: Las especificaciones técnicas y de diseño pueden cambiar para permitir la mejora constante del producto. Explore más accesorios en <https://www.ecovacs.com/global>.



Ecovacs Robotics Co., Ltd.

No.518 Songwei Road, Wusongjiang Industry Park, Guoxiang Street,
Wuzhong District, Suzhou, Jiangsu, China.